

Ottawa Products Co., Inc.

CURTICE, OHIO

PRODUCT CATALOG WITH SPECIFICATION GUIDE

**Manufacturer Of;
The Universal Sure-Seal Clamp™,
U-Bolt Clamps,
Band Style Clamps,
Mounting Brackets,
Muffler/Pipe Hangers,
Custom Bent Bolts,
Wire Forms and Stampings.**

**We also carry a large inventory of the popular Band Style Clamps
Manufactured By Torca Products. "Always Demand The Torca® Brand!"**

WHEN QUALITY COUNTS AND YOU DEMAND NOTHING BUT THE VERY BEST,
"HERE IS WHERE YOU GET IT!"

PROVIDING HIGH QUALITY LOWER COST ALTERNATIVES - SINCE 1997

"SETTING THE STANDARD"



Ottawa Products Co.
www.ottawaproducts.com

Ottawa Products Co., Inc.

1602 North Curtice Rd.

Curtice, Ohio 43412

Phone: 419-836-5115

Fax: 419-836-5111

E-mail info@ottawaproducts.com

Internet: www.ottawaproducts.com



QUALITY SYSTEM
REGISTERED TO
ISO 9001:2000



QUALITY BUILT PRODUCTS MADE IN THE USA

Catalog Index

- Page 1 About Us
- Page 2 Universal Sure-Seal Clamp™ Flyer.
- Page 3 SSC-Series - Universal Sure-Seal Clamp™.
- Page 4 G-Series - Guillotine Clamp W/Round U-Bolt.
- Page 5 GF-Series - Guillotine Clamp W/Flat U-Bolt.
- Page 6 DEC-Series - Double Edge Clamp Closed End W/Round U-Bolt.
- Page 7 DECF Series - Double Edge Clamp Closed End W/Flat U-Bolt.
- Page 8 DEO Series - Double Edge Clamp Open End W/Round U-Bolt.
- Page 9 DEOF Series - Double Edge Clamp Open End W/Flat U-Bolt.
- Page 10 LD-Series Light-Duty Double Edge.
- Page 11 FBS Series Flat Band Clamp Flyer.
- Page 12 FBS A-Series Band Style Clamp.
- Page 13 FBS B-Series Band Style Clamp.
- Page 14 FBS C-Series Band Style Clamp.
- Page 15 FBS D-Series Band Style Clamp.
- Page 16 FBS E-Series Band Style Clamp.
- Page 17 AS-SERIES AccuSeal (Torca®) Narrow Band Clamp.
- Page 18 TT-SERIES TorcTite (Torca®) Pre-formed Band Clamp.
- Page 19 ES-SERIES EasySeal (Torca®) Flat Band Clamp.
- Page 20 FBSAMTG - Series Kenworth & Peterbilt Chrome Mounting Bkt
- Page 21 Custom Bent U-Bolt Flyer.
- Page 22 Custom Bent U-Bolt Fax Request Quote Form.
- Page 23 Heavy-Duty Muffler/Pipe Hangers MH, MHA and MHO-Series.

"SETTING THE STANDARD"



Ottawa Products Co., Inc.
1602 S. North Curtice Rd.
Curtice, Ohio 43412
Phone: 419-836-5115
Fax: 419-836-5111
E-mail info@ottawaproducts.com
Internet: www.ottawaproducts.com



About Us

Ottawa Products Co., was founded in 1997 with the design and patent (#5,829,107) of the Universal Sure-Seal Clamp™. The Universal Sure-Seal Clamp™ is one of the most technologically advanced clamp products in the high performance automotive, heavy-duty truck, off-road equipment and industrial marketplace today. The popularity and rapid growth of the Sure-Seal Clamp and Ottawa Products Co. is proof of its intrinsic value.

Ottawa Products continues its growth, from our early beginning in a small garage to our 5,000 sq. ft. facility in Toledo, Ohio to our newest 19,000 sq. ft. factory on five acres in Curtice, Ohio which allows us plenty of room for our future growth. In order to satisfy a growing customer base, Ottawa Products has diversified its product offerings to include a much wider variety of clamp products, mounting brackets, custom-bent bolts, wire forms and stampings. In fact, we offer a wider variety and higher quality line of clamp products than anyone in the market.

Some of our newest lines of products include the popular guillotine style u-bolt clamps with our advanced “*value added*” saddle design, double-edge style U-bolt clamps, heavy-duty band style clamps, exhaust mounting brackets and heavy-duty pipe & muffler hangers. We also offer the line of premier band-style clamps from Torca® Products Company.

Along with our high-quality line of products, we also include top-notch customer service. While a lot of manufacturers say they have good customer service, Ottawa Products backs that up with a direct link to the owners of the company. Who better to answer your questions, tend to your needs and make sure your products are delivered to you on-time than the people who own the business? Give us a call and experience the difference.

Ottawa’s quality system is certified through NSF-ISR (International Strategic Registrations, Ltd.) to the standards set forth in ISO 9001:2000. A copy of our certificate is available for download at our web site.

Ottawa Products is a total customer-oriented company built around total customer satisfaction, and dedicated to provide all our customers a high level of customer service; a level of customer service that we look forward to providing you.

Please review our catalog, if you see a product that we can provide, please contact us for price and delivery. If there is a product line or clamp size that is not shown in this catalog, please contact the factory, as we are constantly adding additional product and additional clamp sizes. Also, if you require samples, give us a call or let us quote you on our custom-made line of bent bolts or stampings.

"SETTING THE STANDARD"



Ottawa Products Co.
www.ottawaproducts.com

"INTRODUCING"

THE UNIVERSAL SURE-SEAL CLAMP™

"IT'S WHAT YOU HAVE BEEN WAITING FOR."

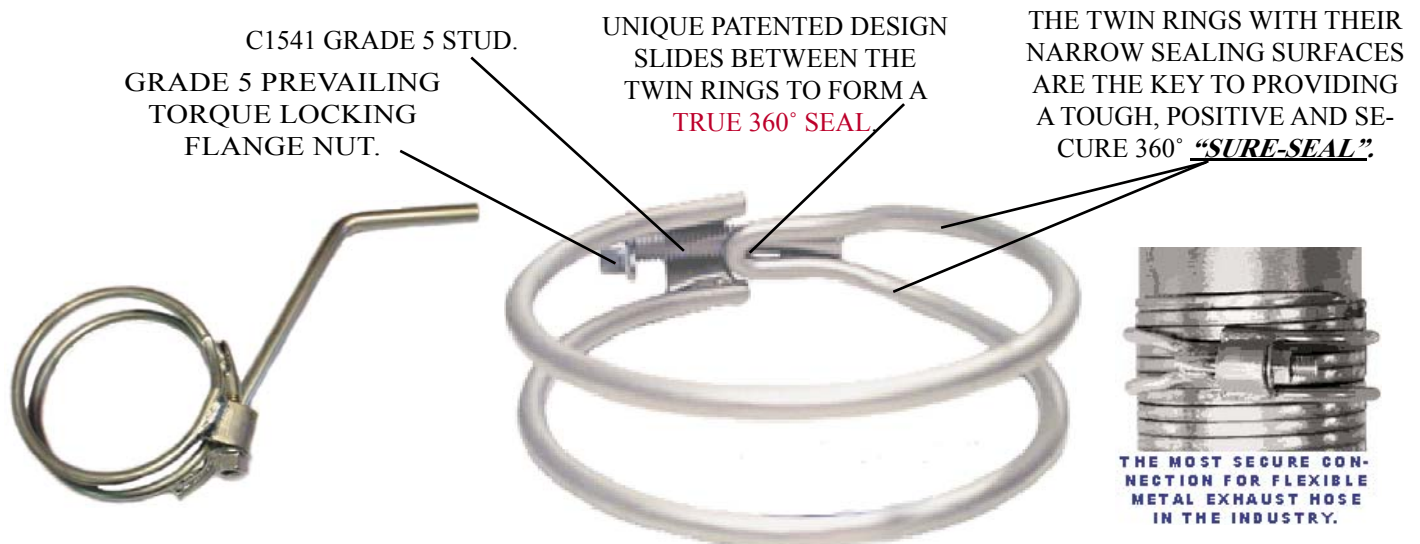
The Universal Sure-Seal Clamp™ is a revolution in the clamping industry. It provides a true 360° seal. It seals all tubular joints, keeps them from separating and prevents leaks.

The Universal Sure-Seal Clamp™ is currently being used by the professionals for Exhaust Connections and Exhaust Mounts in the High Performance Automotive, Heavy-Duty Truck and the Off-Road Equipment Markets. Other applications include Rubber Hose in water, air and hydraulic connections.

The Universal Sure-Seal Clamp™ is an inovative and highly-engineered product designed to provide that true 360° vibration proof, leak proof seal on all tubular connections. There is no comparision or other clamp like it in the Industry.

The Universal Sure-Seal Clamp™ is a true heavy-duty clamp, engineered and designed by professionals for those tough, demanding applications--applications that require solutions that go

"BEYOND THE ORDINARY"



"SETTING THE STANDARD"


Ottawa Products Co.
www.ottawaproducts.com

Ottawa Products Co., Inc.

1602 North Curtice Rd.

Curtice, Ohio 43412

Phone: 419-836-5115

Fax: 419-836-5111

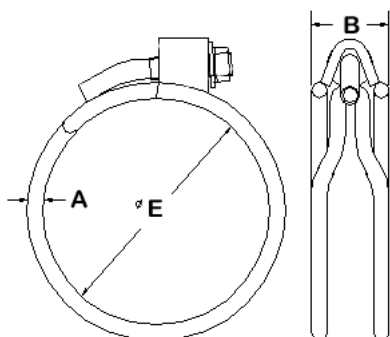
E-mail info@ottawaproducts.com

Internet: www.ottawaproducts.com



SSC-SERIES

Universal Sure-Seal Exhaust Clamp™ Heavy-Duty Twin Seal Exhaust/Hose Clamp



360° SEAL

Available In These Standard Industry Sizes

PART NO.	"E" SIZE RANGE	APPROX. WT.	PART NO.	"E" SIZE RANGE	APPROX. WT.
SSC 1920	1.720"/1.920"	.35	SSC 5280	5.080"/5.280"	1.05
SSC 2030	1.830"/2.030"	.40	SSC 5530	5.330"/5.530"	1.08
SSC 2280	2.080"/2.280"	.45	SSC 5780	5.580"/5.780"	1.12
SSC 2530	2.330"/2.530"	.48	SSC 6030	5.830"/6.030"	1.15
SSC 2620	2.420"/2.620"	.49	SSC 6280	6.080"/6.280"	1.18
SSC 2780	2.580"/2.780"	.50	SSC 6530	6.330"/6.530"	1.22
SSC 3030	2.830"/3.030"	.52	SSC 6780	6.580"/6.780"	1.25
SSC 3280	3.080"/3.280"	.54	SSC 7030	6.830"/7.030"	1.29
SSC 3530	3.330"/3.530"	.57	SSC 7280	7.080"/7.280"	1.32
SSC 3780	3.580"/3.780"	.58	SSC 7530	7.330"/7.530"	1.35
SSC 4030	3.830"/4.030"	.61	SSC 7780	7.580"/7.780"	1.39
SSC 4280	4.080"/4.280"	.91	SSC 8030	7.830"/8.030"	1.42
SSC 4530	4.330"/4.530"	.95	SSC 8280	8.080"/8.280"	1.46
SSC 4780	4.580"/4.780"	.98	SSC 8530	8.330"/8.530"	1.49
SSC 5030	4.830"/5.030"	1.01			

AVAILABLE FINISH

- Zinc Plated Per GMW3044
- Clear, Yellow or Black
- Chrome Plated
- Paint

COMPONENTS AND MATERIALS

Complete Clamp Includes

- "A" - Wire - C1008 1/4"Ø SSC-1920 through SSC-3780 , 5/16"Ø SSC-4030 through SSC-8530
- "B" - 1-1/4" SSC-1920 through SSC-3780 - 1-1/2" SSC-4030 through SSC-8530
- C1541 Grade 5 Stud - 3/8-16 (1/4" Ø Wire) or 7/16-14 (5/16 Ø Wire)
- Top Lock Large Flange Nut 3/8-16 (1/4" Ø Wire) or 7/16-14 (5/16" Ø Wire) Grade 5 Zinc

"SETTING THE STANDARD"



Ottawa Products Co., Inc.

1602 North Curtice Rd.

Curtice, Ohio 43412

Phone: 419-836-5115

Fax: 419-836-5111

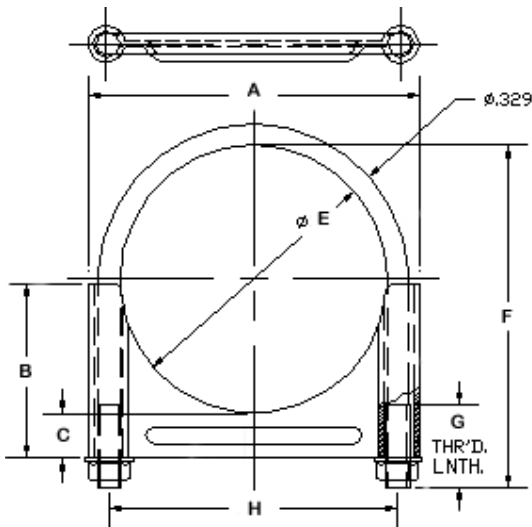
E-mail info@ottawaproducts.com

Internet: www.ottawaproducts.com



G-SERIES

Guillotine Style Heavy-Duty Clamp With Round U-Bolt



"VALUE ADDED" REINFORCEMENT RIB DESIGN PROVIDES ADDITIONAL STRENGTH.

Available In These Standard Industry Sizes

SIZE	PART NO.	A	B	C	E	F	G	H	GA.	WT.
2.00"	G-200	3.10	1.87	.69	2.17	4.00	1.50	2.50	13	.45
2.25"	G-225	3.34	2.00	.69	2.42	4.12	1.50	2.60	13	.50
2.50"	G-250	3.60	2.14	.69	2.67	4.38	1.50	3.00	13	.53
2.75"	G-275	3.85	2.25	.69	2.92	4.62	1.50	3.25	13	.56
3.00"	G-300	4.12	2.37	.67	3.17	5.06	1.50	3.50	13	.60
3.50"	G-350	4.61	2.69	.68	3.67	5.37	1.50	4.00	13	.72
4.00"	G-400	5.17	2.91	.70	4.17	5.88	1.50	4.50	13	.82
5.00"	G-500	6.19	3.39	.80	5.17	6.75	1.50	5.50	11	1.24
6.00"	G-600	7.18	3.89	.80	6.17	7.50	1.50	6.50	11	1.42

AVAILABLE FINISH

- Plain
- Zinc Plated Per GMW3044
- Clear, Yellow Or Black
- Chrome Plated
- Painted

PACKAGING OPTIONS

- Un-Assembled & Bulk Packed
- Assembled & Bulk Packed
- Individually Packaged Bulk
- Individually Packaged Ten Or Fifty Pack Carton

COMPONENTS AND MATERIALS

Complete Clamp Includes

- U-Bolt - C1018 3/8-16 NC-2A Thread
- Saddle C1008/C1010
- (2) Serrated Flange Nuts - Grade 2

"SETTING THE STANDARD"



Ottawa Products Co., Inc.

1602 North Curtice Rd.

Curtice, Ohio 43412

Phone: 419-836-5115

Fax: 419-836-5111

E-mail info@ottawaproducts.com

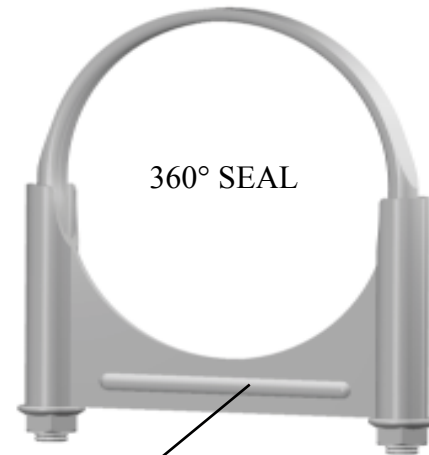
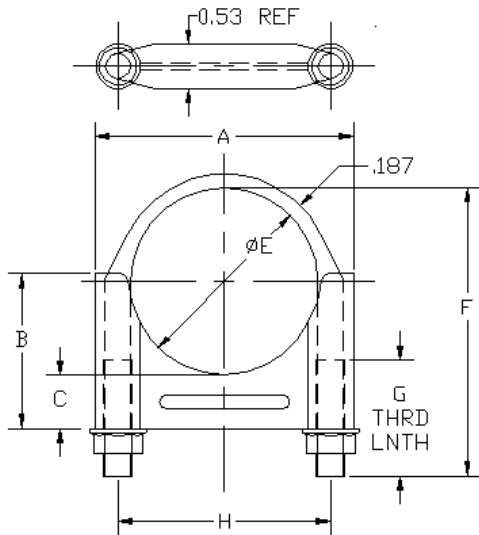
Internet: www.ottawaproducts.com



WE RESERVE THE RIGHT TO CHANGE SPECIFICATIONS AND/OR DESIGNS WITHOUT PRIOR NOTICE OR OBLIGATION

GF-SERIES

Guillotine Style Heavy-Duty Clamp With Flat U-Bolt



"VALUE ADDED" REINFORCEMENT RIB DESIGN PROVIDES ADDITIONAL STRENGTH.

Available In These Standard Industry Sizes

SIZE	PART NO.	A	B	C	E	F	G	H	GA.	WT.
2.00"	GF-200	3.10	1.87	.69	2.17	4.00	1.50	2.50	13	.45
2.25"	GF-225	3.34	2.00	.69	2.42	4.12	1.50	2.60	13	.50
2.50"	GF-250	3.60	2.14	.69	2.67	4.38	1.50	3.00	13	.53
2.75"	GF-275	3.85	2.25	.69	2.92	4.62	1.50	3.25	13	.56
3.00"	GF-300	4.12	2.37	.67	3.17	5.06	1.50	3.50	13	.64
3.50"	GF-350	4.61	2.69	.68	3.67	5.37	1.50	4.00	13	.74
4.00"	GF-400	5.17	2.91	.70	4.17	5.88	1.50	4.50	13	.84
5.00"	GF-500	6.19	3.39	.80	5.17	6.75	1.50	5.50	11	1.27
6.00"	GF-600	7.18	3.89	.80	6.17	7.50	1.50	6.50	11	1.45

AVAILABLE FINISH

- Plain
- Zinc Plated Per GMW3044
- Clear, Yellow Or Black
- Chrome Plated
- Paint

PACKAGING OPTIONS

- Un-Assembled & Bulk Packed
- Assembled & Bulk Packed
- Individually Packaged Bulk
- Individually Packaged Ten Or Fifty Pack Carton

COMPONENTS AND MATERIALS

Complete Clamp Includes

- U-Bolt - C1018 3/8-16 NC-2A Thread
- Saddle C1008/C1010
- (2) Serrated Flange Nuts - Grade 2

"SETTING THE STANDARD"



Ottawa Products Co.
www.ottawaproducts.com

Ottawa Products Co., Inc.

1602 North Curtice Rd.

Curtice, Ohio 43412

Phone: 419-836-5115

Fax: 419-836-5111

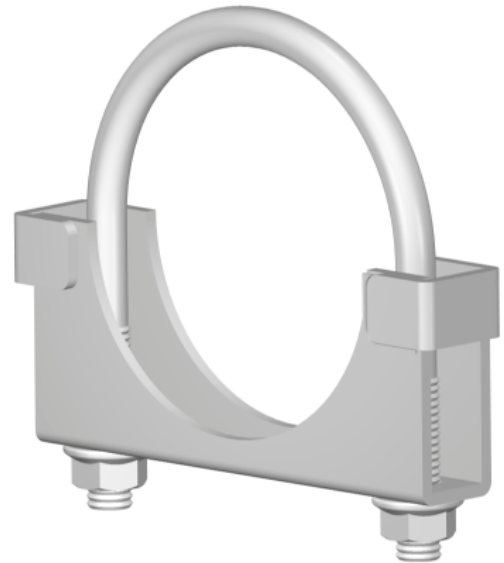
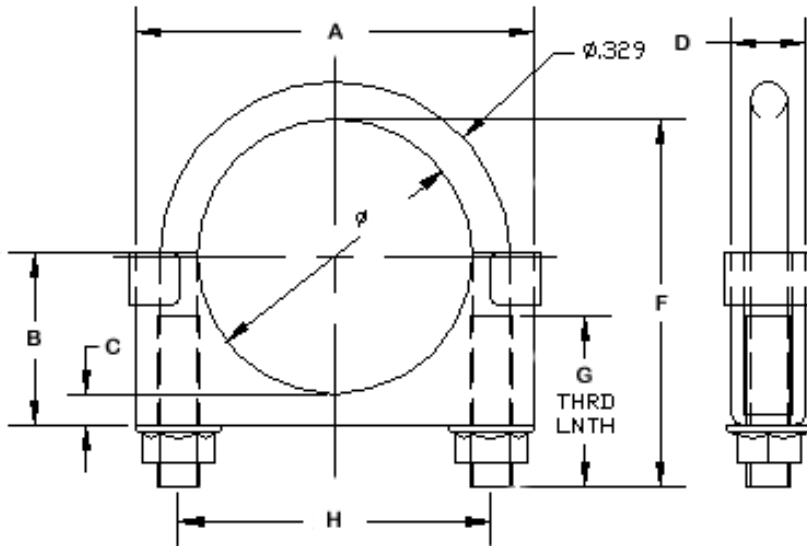
E-mail info@ottawaproducts.com

Internet: www.ottawaproducts.com



DEC-SERIES

Double Edge Closed End Style Heavy-Duty Clamp With Round U-Bolt



Available In These Standard Industry Sizes

SIZE	PART NO.	A	B	C	D	E	F	G	H	GA.	WT.
3.00"	DEC 300	4.37	2.00	.50	1.00	3.17	5.08	1.50	3.55	11	
3.50"	DEC 350	5.00	3.13	.38	1.00	3.67	5.37	1.50	4.00	11	
4.00"	DEC 400	5.37	2.50	.42	.81	4.17	5.34	1.50	4.50	11	.98
4.50"	DEC 450	6.25	3.02	.69	1.00	4.62	5.84	1.50	4.96	11	
5.00"	DEC 500	6.37	3.13	.54	.81	5.17	6.44	1.50	5.50	11	1.22
5.50"	DEC 550	7.25	3.37	.50	1.00	5.62	7.37	1.50	6.12	11	1.20
6.00"	DEC 600	7.81	3.68	.60	1.00	6.17	7.44	1.50	6.50	11	1.25

AVAILABLE FINISH

- Plain
- Zinc Plated Per GMW3044
- Clear, Yellow Or Black
- Chrome Plated
- Painted

PACKAGING OPTIONS

- Un-Assembled & Bulk Packed
- Assembled & Bulk Packed
- Individually Packaged Bulk
- Individually Packaged Ten Or Fifty Pack Carton

COMPONENTS AND MATERIALS

Complete Clamp Includes

- U-Bolt - C1018 3/8-16 NC-2A Thread
- Saddle C1008/C1010
- (2) Serrated Flange Nuts - Grade 2

"SETTING THE STANDARD"



Ottawa Products Co., Inc.

1602 North Curtice Rd.

Curtice, Ohio 43412

Phone: 419-836-5115

Fax: 419-836-5111

E-mail info@ottawaproducts.com

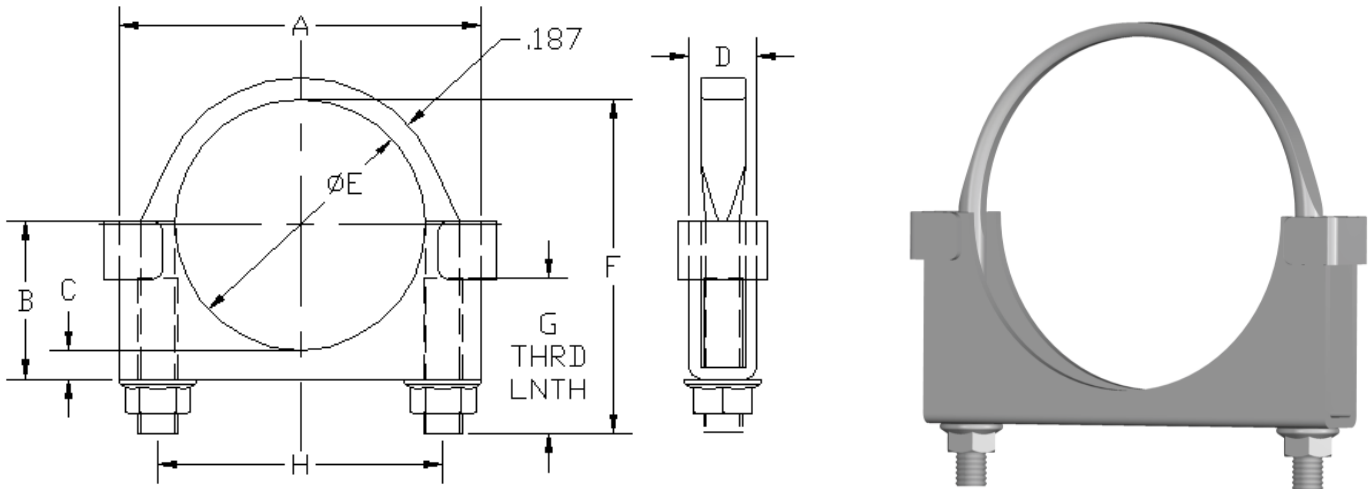
Internet: www.ottawaproducts.com



WE RESERVE THE RIGHT TO CHANGE SPECIFICATIONS AND/OR DESIGNS WITHOUT PRIOR NOTICE OR OBLIGATION

DECF-SERIES

Double Edge Closed End Style Heavy-Duty Clamp With Flat U-Bolt



Available In These Standard Industry Sizes

SIZE	PART NO.	A	B	C	D	E	F	G	H	GA.	WT.
3.00"	DECF-300	4.37	2.00	.50	1.00	3.17	5.08	1.50	3.55	11	
3.50"	DECF-350	5.00	2.25	.38	1.00	3.67	5.37	1.50	4.00	11	
4.00"	DECF-400	5.37	2.50	.42	.81	4.17	5.34	1.50	4.50	11	.98
4.50"	DECF-450	6.25	3.02	.69	1.00	4.62	5.84	1.50	4.96	11	
5.00"	DECF-500	6.37	3.13	.54	.81	5.17	6.44	1.50	5.50	11	1.22
5.50"	DECF-550	7.25	3.37	.50	1.00	5.62	7.37	1.50	6.12	11	1.20
6.00"	DECF-600	7.81	3.68	.60	.81	6.17	7.44	1.50	6.50	11	1.25
7.00"	DECF-700	8.41	4.34	.75	.81	7.17	9.08	2.00	7.50	11	
8.00"	DECF-800	9.41	4.84	.75	.81	8.17	9.95	2.00	8.50	11	

AVAILABLE FINISH

- Plain
- Zinc Plated Per GMW3044
- Clear, Yellow Or Black
- Chrome Plated
- Painted

PACKAGING OPTIONS

- Un-Assembled & Bulk Packed
- Assembled & Bulk Packed
- Individually Packaged Bulk
- Individually Packaged Ten Or Fifty Pack Carton

COMPONENTS AND MATERIALS

- Complete Clamp Includes
- U-Bolt - C1018 3/8-16 NC-2A Thread
 - Saddle C1008/C1010
 - (2) Serrated Flange Nuts - Grade 2

"SETTING THE STANDARD"



Ottawa Products Co., Inc.

1602 North Curtice Rd.

Curtice, Ohio 43412

Phone: 419-836-5115

Fax: 419-836-5111

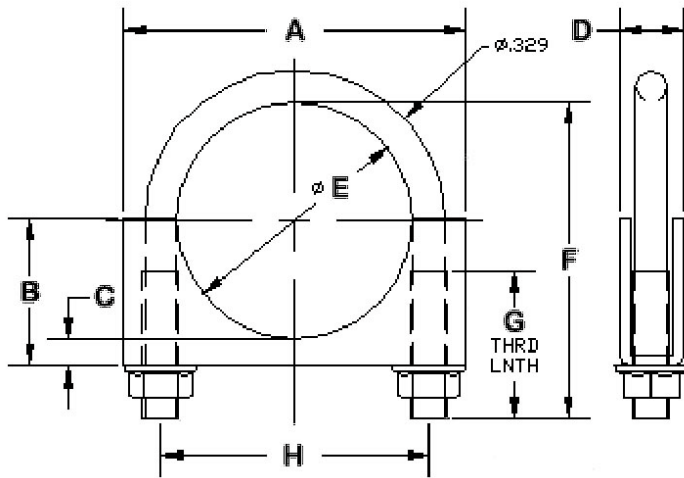
E-mail info@ottawaproducts.com

Internet: www.ottawaproducts.com



DEO-SERIES

Double Edge Open End Style Heavy-Duty Clamp With Round U-Bolt



Available In These Standard Industry Sizes

SIZE	PART NO.	A	B	C	D	E	F	G	H	GA.	WT.
1.50"	DEO-150	2.88	1.00	.20	.72	1.67	2.38	1.50	2.01	13	.29
2.00"	DEO-200	3.25	1.38	.31	.87	2.17	3.13	1.50	2.55	11	.45
2.25"	DEO-225	3.50	1.50	.31	.75	2.44	3.80	1.50	2.80	11	
2.38"	DEO-238	4.00	1.88	.31	.75	2.50	3.67	1.50	2.83	11	
2.50"	DEO-250	3.75	1.63	.31	.87	2.67	4.00	1.50	3.05	11	.54
3.00"	DEO-300	4.37	2.00	.50	1.0	3.17	5.08	1.50	3.55	11	
3.50"	DEO-350	5.00	2.25	.38	1.00	3.67	5.37	1.50	4.00	11	.77
4.00"	DEO-400	5.37	2.50	.42	.81	4.17	5.34	1.50	4.50	11	.91
4.50"	DEO-450	6.25	3.02	.69	1.00	4.62	5.84	1.50	4.96	11	
5.00"	DEO-500	6.37	3.13	.54	.81	5.17	6.44	1.50	5.50	11	1.13
5.50"	DEO-550	7.25	3.37	.50	1.00	5.62	7.37	1.50	6.12	11	1.20
6.00"	DEO-600	7.81	3.68	.60	1.00	6.17	7.44	1.50	6.50	11	1.25

AVAILABLE FINISH

- Plain
- Clear Trivalent Zinc Per GMW3044
- Yellow Or Black Zinc Per ASTM B633
- Chrome Plated
- Hi-Heat Black Paint

PACKAGING OPTIONS

- Un-Assembled & Bulk Packed
- Assembled & Bulk Packed
- Individually Packaged Bulk
- Individually Packaged Ten Or Fifty Pack Carton

COMPONENTS AND MATERIALS

- Complete Clamp Includes
- U-Bolt - C1018 3/8-16 NC-2A Thread
 - Saddle C1008/C1010
 - (2) Serrated Flange Nuts - Grade 2

"SETTING THE STANDARD"



Ottawa Products Co., Inc.

1602 North Curtice Rd.

Curtice, Ohio 43412

Phone: 419-836-5115

Fax: 419-836-5111

E-mail info@ottawaproducts.com

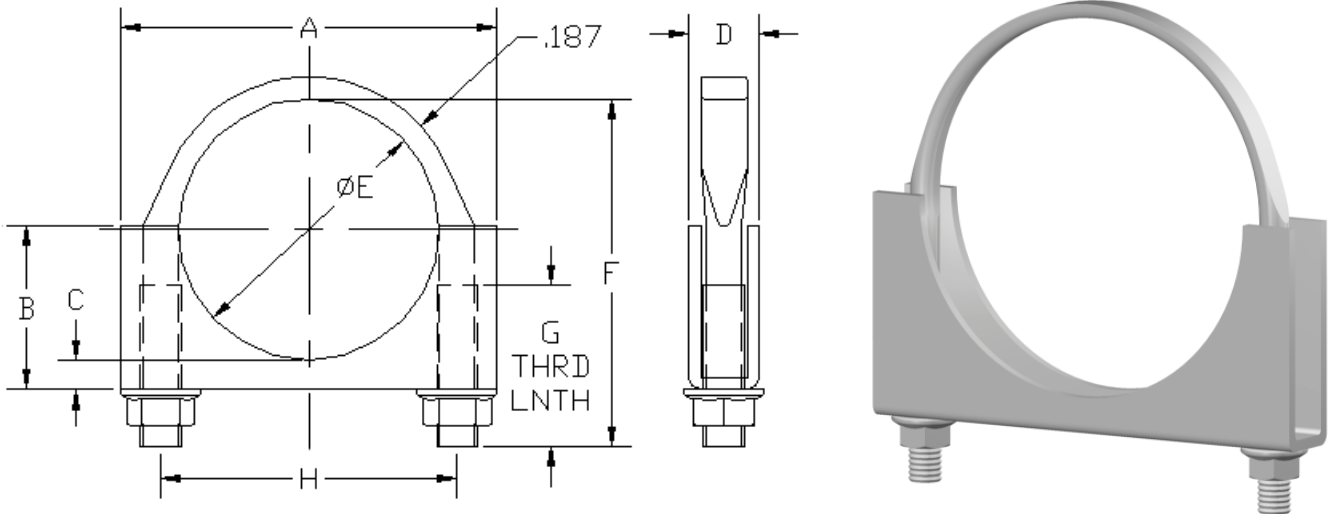
Internet: www.ottawaproducts.com



WE RESERVE THE RIGHT TO CHANGE SPECIFICATIONS AND/OR DESIGNS WITHOUT PRIOR NOTICE OR OBLIGATION

DEOF-SERIES

Double Edge Open End Style Heavy-Duty Clamp With Flat U-Bolt



Available In These Standard Industry Sizes

SIZE	PART NO.	A	B	C	D	E	F	G	H	GA.	WT.
2.00"	DEOF-200	3.25	1.38	.33	.87	2.17	3.13	1.50	2.01	11	.44
2.50"	DEOF-250	3.75	1.63	.33	.87	2.67	4.00	1.50	2.55	11	.53
3.00"	DEOF-300	4.37	2.00	.50	1.0	3.17	5.08	1.50	3.55	11	
3.50"	DEOF-350	5.00	2.25	.38	1.0	3.67	5.08	1.50	4.00	11	.75
4.00"	DEOF-400	5.37	2.50	.42	.81	4.17	5.34	1.50	4.50	11	.91
4.50"	DEOF-450	6.25	3.02	.69	1.0	4.62	5.84	1.50	4.96	11	
5.00"	DEOF-500	6.37	3.13	.54	.81	5.17	6.44	1.50	5.50	11	1.13
5.50"	DEOF-550	7.25	3.37	.50	1.0	5.62	7.37	1.50	6.12	11	1.20
6.00"	DEOF-600	7.75	3.68	.60	1.0	6.12	7.44	1.50	6.50	11	1.25

AVAILABLE FINISH

- Plain
- Zinc Plated Per GMW3044
- Clear, Yellow Or Black
- Chrome Plated
- Painted

PACKAGING OPTIONS

- Un-Assembled & Bulk Packed
- Assembled & Bulk Packed
- Individually Packaged Bulk
- Individually Packaged Ten Or Fifty Pack Carton

COMPONENTS AND MATERIALS

- Complete Clamp Includes
- U-Bolt - C1018 3/8-16 NC-2A Thread
 - Saddle C1008/C1010
 - (2) Serrated Flange Nuts - Grade 2

"SETTING THE STANDARD"



Ottawa Products Co., Inc.

1602 North Curtice Rd.

Curtice, Ohio 43412

Phone: 419-836-5115

Fax: 419-836-5111

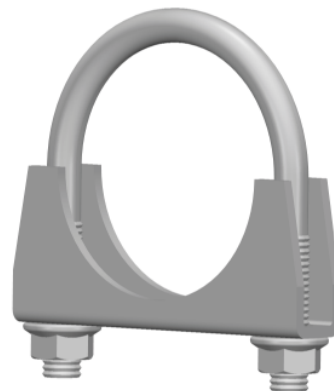
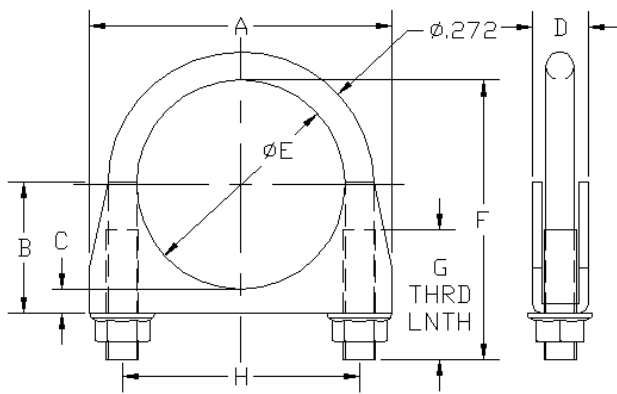
E-mail info@ottawaproducts.com

Internet: www.ottawaproducts.com



LD-SERIES

Double Edge Open End Style Light-Duty Clamp With Round U-Bolt



Available In These Standard Industry Sizes

SIZE	PART NO.	A	B	D	E	F	G	H	GA.	WT.
1.00"	LD-100	2.00	.78	.75	1.00	1.76	1.12	1.35	13	
1-1/8"	LD-118	2.25	.88	.75	1.25	2.18	1.12	1.52	13	
1-1/4"	LD-125	2.37	.93	.75	1.37	2.38	1.12	1.64	13	
1-3/8"	LD-138	2.50	.98	.75	1.50	2.43	1.12	1.77	13	
1-1/2"	LD-150	2.87	1.05	.75	1.62	2.40	1.12	1.89	13	
1-5/8"	LD-162	2.87	1.10	.75	1.75	2.48	1.12	2.02	13	
1-3/4"	LD-175	3.00	1.18	.75	1.88	2.58	1.12	2.14	13	
1-7/8"	LD-188	3.00	1.23	.75	2.00	2.66	1.12	2.27	13	
2.00"	LD-200	3.12	1.36	.75	2.12	2.92	1.12	2.39	13	
2-1/8"	LD-218	3.37	1.37	.75	2.25	3.06	1.12	2.52	13	
2-1/4"	LD-225	3.50	1.50	.75	2.38	3.18	1.12	2.64	13	
2-1/2"	LD-250	3.75	1.63	.75	2.62	3.33	1.12	2.89	13	

NOTE: ACTUAL SADDLE DESIGN MAY VARY FROM THAT SHOWN ABOVE.

AVAILABLE FINISH

- Plain
- Zinc Plated Per GMW3044

PACKAGING OPTIONS

- Un-Assembled & Bulk Packed
- Assembled & Bulk Packed
- Individually Packaged Bulk
- Individually Packaged Ten Or Fifty Pack Carton

COMPONENTS AND MATERIALS

- Complete Clamp Includes
- U-Bolt - C1018 5/16-18 NC-2A Thread
 - Saddle C1008/C1010
 - (2) Serrated Flange Nuts - Grade 2

"SETTING THE STANDARD"



Ottawa Products Co., Inc.

1602 S. North Curtice Rd.

Curtice, Ohio 43412

Phone: 419-836-5115

Fax: 419-836-5111

E-mail info@ottawaproducts.com

Internet: www.ottawaproducts.com



10

HEAVY-DUTY BAND STYLE CLAMPS (FBS - SERIES)

Ottawa Products Company's Diversified Product Line also includes a complete line of Heavy-Duty Band Style Clamps. Most style clamps are available in size ranges from 1-1/2" through 8.00" diameters.

All Standard Band Style Clamps include Grade 5 Hardware.

Available in Plain Finish, Zinc Plated or Hi-Heat Black Paint.

Contact Factory For Price and Availability.



"SETTING THE STANDARD"



Ottawa Products Co.
www.ottawaproducts.com

Ottawa Products Co., Inc.
1602 S. North Curtice Rd.
Curtice, Ohio 43412
Phone: 419-836-5115
Fax: 419-836-5111

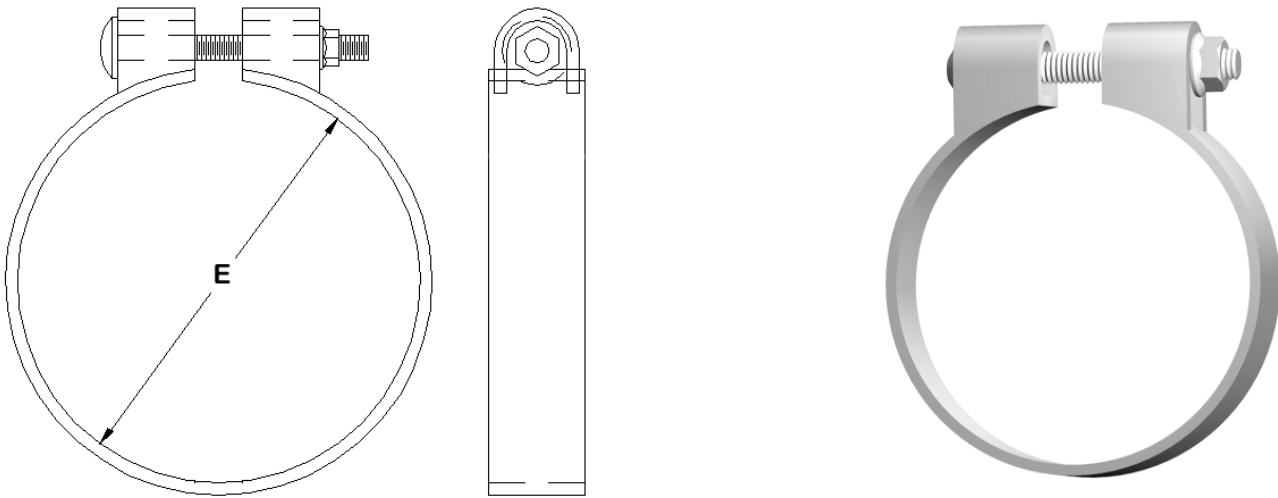
E-mail info@ottawaproducts.com
Internet: www.ottawaproducts.com



QUALITY BUILT PRODUCTS MADE IN THE USA

FBS A-SERIES

Heavy-Duty Band Style Clamp



Available In These Standard Industry Sizes

SIZE	PART NO.	E	APPROX. WT.		SIZE	PART NO.	E	APPROX. WT.
1-3/4"	FBS A175	1.92"	.50		3-7/8"	FBS A388	3.92"	.71
1-7/8"	FBS A188	2.05"	.50		4"	FBS A400	4.17"	.73
2"	FBS A200	2.17"	.52		4-1/4"	FBS A425	4.42"	.77
2-1/8"	FBS A213	2.30"	.52		4-1/2"	FBS A450	4.67"	.79
2-1/4"	FBS A225	2.42"	.53		5"	FBS A500	5.17"	.84
2-1/2"	FBS A250	2.67"	.56		5-1/2"	FBS A550	5.67"	.90
2-3/4"	FBS A275	2.92"	.58		6"	FBS A600	6.17"	.95
3"	FBS A300	3.17"	.64		7"	FBS A700	7.17"	1.16
3-1/4"	FBS A325	3.42"	.66		8"	FBS A800	8.17"	1.26
3-1/2"	FBS A350	3.67"	.68					

AVAILABLE FINISH

- Plain
- Zinc Plated Per ASTM B-633
- Clear, Yellow Or Black
- Zinc-Nickel Plated
- Hi-Heat Black Paint

COMPONENTS AND MATERIALS

Complete Clamp Includes

- Band - C1008 X 1.0" Wide X .125" Thick
- Carriage Bolt - 3/8-16 X 3.0" Grade 5 - Zinc
- 3/8-16 Top Lock Large Flange Nut Grade 5 - Zinc
- Clip C1008 - .88" Wide X .187" Thick

"SETTING THE STANDARD"



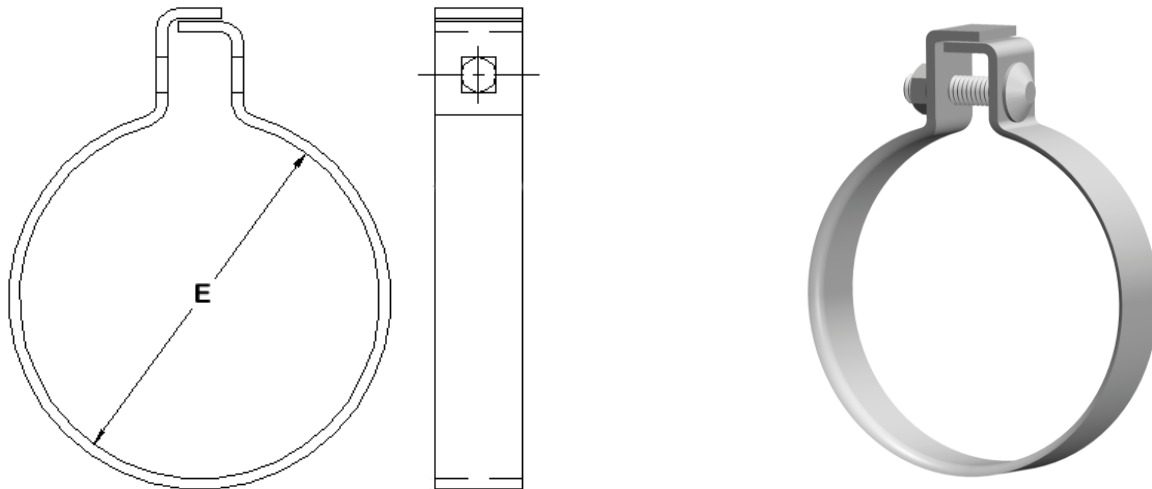
Ottawa Products Co., Inc.
 1602 S. North Curtice Rd.
 Curtice, Ohio 43412
 Phone: 419-836-5115
 Fax: 419-836-5111

E-mail info@ottawaproducts.com
 Internet: www.ottawaproducts.com



FBS B-SERIES

Heavy-Duty Band Style Clamp



Available In These Standard Industry Sizes

SIZE	PART NO.	E	APPROX. WT.	SIZE	PART NO.	E	APPROX. WT.
1-1/4"	FBS B125	1.42"	.32	3-1/4"	FBS B325	3.42"	.50
1-1/2"	FBS B150	1.67"	.33	3-1/2"	FBS B350	3.67"	.52
1-5/8"	FBS B162	1.79"	.34	3-7/8"	FBS B388	3.92"	.55
1-3/4"	FBS B175	1.92"	.35	4"	FBS B400	4.17"	.57
1-7/8"	FBS B188	2.05"	.36	4-1/4"	FBS B425	4.42"	.59
2"	FBS B200	2.17"	.37	4-1/2"	FBS B450	4.67"	.62
2-1/8"	FBS B213	2.30"	.39	5"	FBS B500	5.17"	.67
2-1/4"	FBS B225	2.42"	.41	5-1/2"	FBS B550	5.67"	.72
2-1/2"	FBS B250	2.67"	.42	6"	FBS B600	6.17"	.77
2-3/4"	FBS B275	2.92"	.45	7"	FBS B700	7.17"	.86
3"	FBS B300	3.17"	.47	8"	FBS B800	8.17"	.98

AVAILABLE FINISH

- Plain
- Zinc Plated Per GMW3044
- Clear, Yellow Or Black
- Zinc-Nickel Plated
- Hi-Heat Black Paint

COMPONENTS AND MATERIALS

Complete Clamp Includes

- Band - C1008 X 1.0" Wide X .125" Thick
- Carriage Bolt - 3/8-16 X 1.5" Grade 2 - Zinc
- 3/8-16 Serrated Flange Nut Grade 2 - Zinc

"SETTING THE STANDARD"



Ottawa Products Co.
www.ottawaproducts.com

Ottawa Products Co., Inc.

1602 S. North Curtice Rd.

Curtice, Ohio 43412

Phone: 419-836-5115

Fax: 419-836-5111

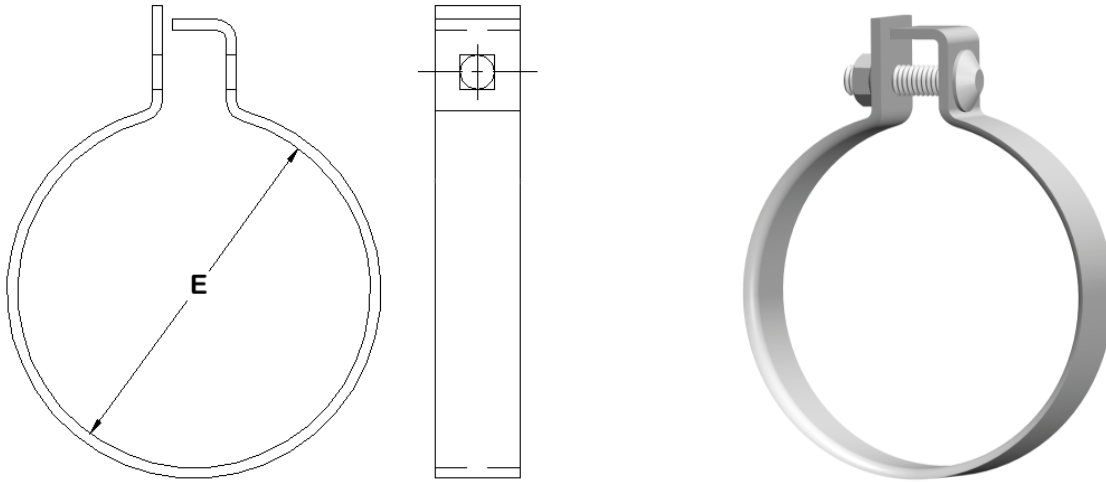
E-mail info@ottawaproducts.com

Internet: www.ottawaproducts.com



FBS C-SERIES

Heavy-Duty Band Style Clamp



Available In These Standard Industry Sizes

SIZE	PART NO.	E	APPROX. WT.	SIZE	PART NO.	E	APPROX. WT.
1-1/4"	FBS C125	1.42"	.30	3-1/4"	FBS C325	3.42"	.48
1-1/2"	FBS C150	1.67"	.31	3-1/2"	FBS C350	3.67"	.51
1-5/8"	FBS C162	1.79"	.32	3-7/8"	FBS C388	3.92"	.53
1-3/4"	FBS C175	1.92"	.34	4"	FBS C400	4.17"	.54
1-7/8"	FBS C188	2.05"	.35	4-1/4"	FBS C425	4.42"	.68
2"	FBS C200	2.17"	.35	4-1/2"	FBS C450	4.67"	.61
2-1/8"	FBS C213	2.30"	.37	5"	FBS C500	5.17"	.65
2-1/4"	FBS C225	2.42"	.37	5-1/2"	FBS C550	5.67"	.70
2-1/2"	FBS C250	2.67"	.41	6"	FBS C600	6.17"	.75
2-3/4"	FBS C275	2.92"	.44	7"	FBS C700	7.17"	.85
3"	FBS C300	3.17"	.46	8"	FBS C800	8.17"	.95

AVAILABLE FINISH

- Plain
- Zinc Plated Per GMW3044
- Clear, Yellow Or Black
- Zinc-Nickel Plated
- Hi-Heat Black Paint

COMPONENTS AND MATERIALS

Complete Clamp Includes

- Band - C1008 X 1.0" Wide X .125" Thick
- Carriage Bolt - 3/8-16 X 1.5" Grade 2 - Zinc
- 3/8-16 Serrated Flange Nut Grade 2 - Zinc

"SETTING THE STANDARD"



Ottawa Products Co., Inc.

1602 S. North Curtice Rd.

Curtice, Ohio 43412

Phone: 419-836-5115

Fax: 419-836-5111

E-mail info@ottawaproducts.com

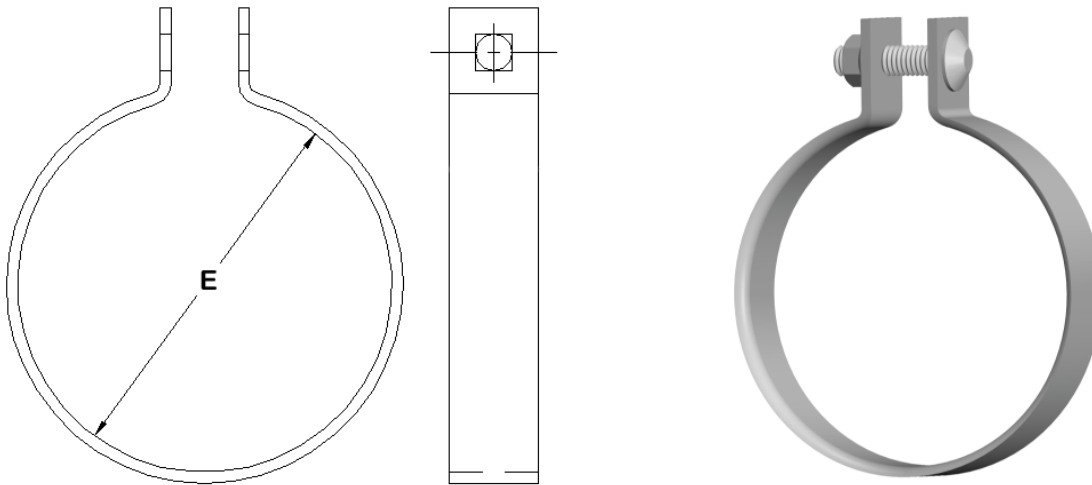
Internet: www.ottawaproducts.com



WE RESERVE THE RIGHT TO CHANGE SPECIFICATIONS AND/OR DESIGNS WITHOUT PRIOR NOTICE OR OBLIGATION

FBS D-SERIES

Heavy-Duty Band Style Clamp



Available In These Standard Industry Sizes

SIZE	PART NO.	E	APPROX. WT.	SIZE	PART NO.	E	APPROX. WT.
1-1/4"	FBS D125	1.42"	.29	3-1/4"	FBS D325	3.42"	.47
1-1/2"	FBS D150	1.67"	.30	3-1/2"	FBS D350	3.67"	.50
1-5/8"	FBS D162	1.79"	.31	3-7/8"	FBS D388	3.92"	.52
1-3/4"	FBS D175	1.92"	.33	4"	FBS D400	4.17"	.54
1-7/8"	FBS D188	2.05"	.34	4-1/4"	FBS D425	4.42"	.56
2"	FBS D200	2.17"	.35	4-1/2"	FBS D450	4.67"	.60
2-1/8"	FBS D213	2.30"	.36	5"	FBS D500	5.17"	.64
2-1/4"	FBS D225	2.42"	.38	5-1/2"	FBS D550	5.67"	.70
2-1/2"	FBS D250	2.67"	.40	6"	FBS D600	6.17"	.74
2-3/4"	FBS D275	2.92"	.43	7"	FBS D700	7.17"	.84
3"	FBS D300	3.17"	.45	8"	FBS D800	8.17"	.94

AVAILABLE FINISH

- Plain
- Zinc Plated Per GMW3044
- Clear, Yellow Or Black
- Zinc-Nickel Plated
- Hi-Heat Black Paint

COMPONENTS AND MATERIALS

Complete Clamp Includes

- Band - C1008 X 1.0" Wide X .125" Thick
- Carriage Bolt - 3/8-16 X 1.5" Grade 2 - Zinc
- 3/8-16 Serrated Flange Nut Grade 2 - Zinc

"SETTING THE STANDARD"



Ottawa Products Co., Inc.

1602 S. North Curtice Rd.

Curtice, Ohio 43412

Phone: 419-836-5115

Fax: 419-836-5111

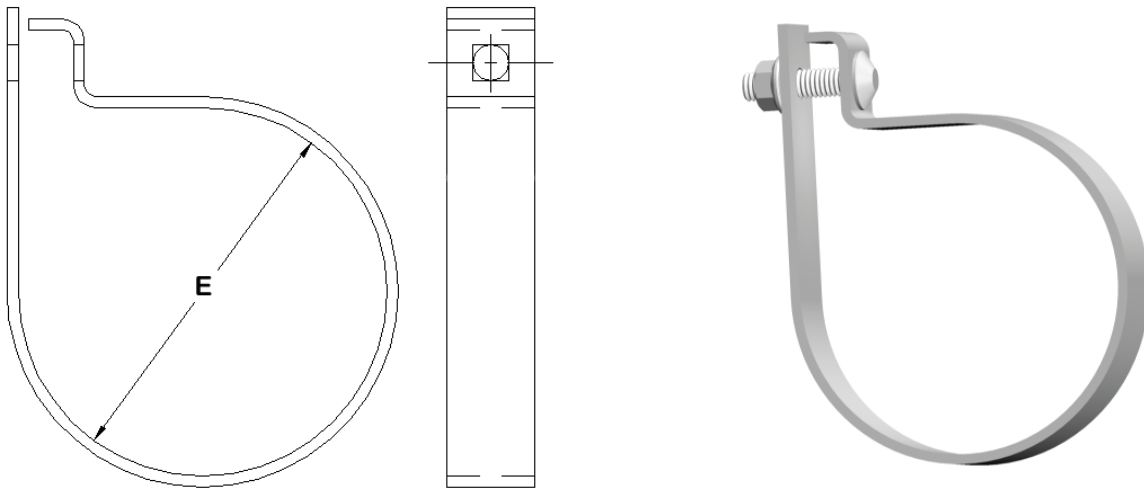
E-mail info@ottawaproducts.com

Internet: www.ottawaproducts.com



FBS E-SERIES

Heavy-Duty Band Style Clamp



Available In These Standard Industry Sizes

SIZE	PART NO.	E	APPROX. WT.	SIZE	PART NO.	E	APPROX. WT.
1-1/4"	FBS E125	1.42"	.34	3-1/4"	FBS E325	3.42"	.52
1-1/2"	FBS E150	1.67"	.35	3-1/2"	FBS E350	3.67"	.55
1-5/8"	FBS E162	1.79"	.36	3-7/8"	FBS E388	3.92"	.58
1-3/4"	FBS E175	1.92"	.37	4"	FBS E400	4.17"	.59
1-7/8"	FBS E188	2.05"	.39	4-1/4"	FBS E425	4.42"	.62
2"	FBS E200	2.17"	.40	4-1/2"	FBS E450	4.67"	.65
2-1/8"	FBS E213	2.30"	.41	5"	FBS E500	5.17"	.69
2-1/4"	FBS E225	2.42"	.42	5-1/2"	FBS E550	5.67"	.74
2-1/2"	FBS E250	2.67"	.45	6"	FBS E600	6.17"	.79
2-3/4"	FBS E275	2.92"	.47	7"	FBS E700	7.17"	.89
3"	FBS E300	3.17"	.50	8"	FBS E800	8.17"	.99

AVAILABLE FINISH

- Plain
- Zinc Plated Per GMW3044
- Clear, Yellow Or Black
- Zinc-Nickel Plated
- Hi-Heat Black Paint

COMPONENTS AND MATERIALS

Complete Clamp Includes

- Band - C1008 X 1.0" Wide X .125" Thick
- Carriage Bolt - 3/8-16 X 1.5" Grade 2 - Zinc
- 3/8-16 Serrated Flange Nut Grade 2 - Zinc

"SETTING THE STANDARD"



Ottawa Products Co., Inc.

1602 S. North Curtice Rd.

Curtice, Ohio 43412

Phone: 419-836-5115

Fax: 419-836-5111

E-mail info@ottawaproducts.com

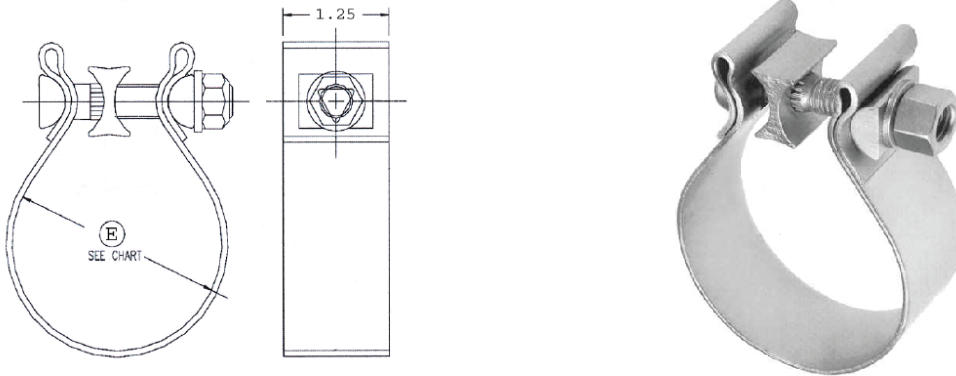
Internet: www.ottawaproducts.com



WE RESERVE THE RIGHT TO CHANGE SPECIFICATIONS AND/OR DESIGNS WITHOUT PRIOR NOTICE OR OBLIGATION

AccuSeal™ - Series

Narrow Band Clamp Genuine Torca® Brand Products



Available In These Standard Industry Sizes

ALUMINIZED STEEL

430 BRIGHT STAINLESS

"E" Dia. (Size)	Ottawa Part #	Torca P/N Ref.	APPROX. WT.	"E" Dia. (Size)	Ottawa Part #	Torca P/N Ref.	APPROX. WT.
2.00"	AS200ALZ	A20AF	.43	2.00"	AS200SS	A20BF	.43
2.25"	AS225ALZ	A22AF	.45	2.25"	AS225SS	A22BF	.45
2.50"	AS250ALZ	A25AF	.47	2.50"	AS250SS	A25BF	.47
2.75"	AS275ALZ	A27AF	.49	2.75"	AS275SS	A27BF	.50
3.00"	AS300ALZ	A30AF	.51	3.00"	AS300SS	A30BF	.52
3.50"	AS350ALZ	A35AF	.55	3.50"	AS350SS	A35BF	.55
4.00"	AS400ALZ	A40AF	.59	4.00"	AS400SS	A40BF	.59
4.50"	AS450ALZ	A45AF	.63	4.50"	AS450SS	A45BF	.63
5.00"	AS500ALZ	A50AF	.67	5.00"	AS500SS	A50BF	.67
6.00"	AS600ALZ	A60AF	.75	6.00"	AS600SS	A60BF	.75

PACKAGING

- One Clamp Per Poly Bag
- 10 Clamps Per Master Carton
- Also Available In Bulk

COMPONENTS AND MATERIALS

- One Clamp Assembly Consists of a Stainless/Aluminized Steel Band With One Spacer. One Metric Bolt, One Reaction Block, One Washer and One Metric Nut.
- Clamp Comes Completely Assembled.

"SETTING THE STANDARD"



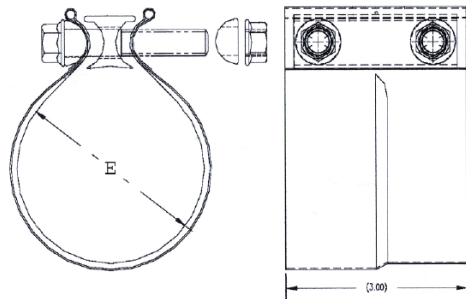
Ottawa Products Co., Inc.
1602 S. North Curtice Rd.
Curtice, Ohio 43412
Phone: 419-836-5115
Fax: 419-836-5111

E-mail info@ottawaproducts.com
Internet: www.ottawaproducts.com



TorcTite™ - Series

Pre-Formed Lap Joint Clamp Genuine Torca® Brand Products



Available In These Standard Industry Sizes

ALUMINIZED STEEL

STAINLESS STEEL

"E" Dia. (Size)	Ottawa Part #	Torca P/N Ref.	APPROX. WT.	"E" Dia. (Size)	Ottawa Part #	Torca P/N Ref.	APPROX. WT.
2.00"	TT200ALZ	L20AA	.89	2.00"	TT200SS	L20SA	.80
2.25"	TT225ALZ	L22AA	.91	2.25"	TT225SS	L22SA	.81
2.50"	TT250ALZ	L25AA	.93	2.50"	TT250SS	L25SA	.82
2.75"	TT275ALZ	L27AA	.94	2.75"	TT275SS	L27SA	.83
3.00"	TT300ALZ	L30AA	.96	3.00"	TT300SS	L30SA	.85
3.50"	TT350ALZ	L35AA	.99	3.50"	TT350SS	L35SA	.87
4.00"	TT400ALZ	L40AA	1.04	4.00"	TT400SS	L40SA	.89
4.50"	TT450ALZ	L45AA	1.07	4.50"	TT450SS	L45SA	.92
5.00"	TT500ALZ	L50AA	1.11	5.00"	TT500SS	L50SA	.94
6.00"	TT600ALZ	L60AA	1.18	6.00"	TT600SS	L60SA	.99

PACKAGING

- One Clamp Assembly Per Box
- 10 Boxes Per Master Carton

COMPONENTS AND MATERIALS

- Complete Assembly Includes
- Stainless/Aluminized Steel Band With One Spacer. Two Bolts and one Reaction Block Pre-Attached to the Band; and One Spacer and Two Nuts Contained in a Poly Bag

"SETTING THE STANDARD"



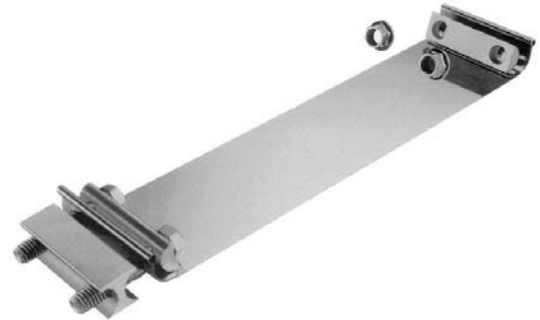
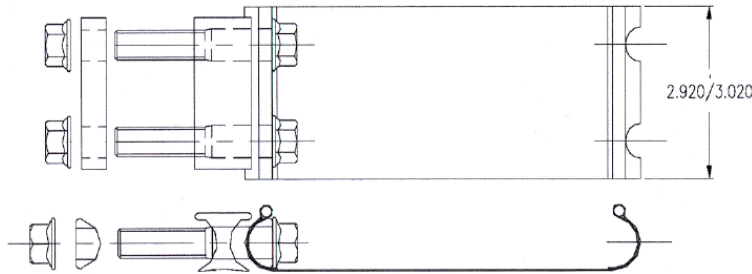
Ottawa Products Co., Inc.
1602 S. North Curtice Rd.
Curtice, Ohio 43412
Phone: 419-836-5115
Fax: 419-836-5111

E-mail info@ottawaproducts.com
Internet: www.ottawaproducts.com



EasySeal™ - Series

Flat Band Clamp Genuine Torca® Brand Products



"E" = DIAMETER OF TUBE AND REQUIRED CLAMP SIZE

Available In These Standard Industry Sizes

STAINLESS STEEL - 10 PER CARTON

STAINLESS STEEL - 40 PER CARTON

"E" Dia. (Size)	Ottawa Part #	Torca P/N Ref.	APPROX. WT.	"E" Dia. (Size)	Ottawa Part #	Torca P/N Ref.	APPROX. WT.
2.00"	ES200S10	E20ST	.80	2.00"	ES200S40	E20STB	.80
2.25"	ES225S10	E22ST	.82	2.25"	ES225S40	E22STB	.82
2.50"	ES250S10	E25ST	.83	2.50"	ES250S40	E25STB	.83
2.75"	ES275S10	E27ST	.84	2.75"	ES275S40	E27STB	.84
3.00"	ES300S10	E30ST	.85	3.00"	ES300S40	E30STB	.85
3.25"	ES325S10	E32ST	.86	N/A	N/A	N/A	
3.50"	ES350S10	E35ST	.87	3.50"	ES350S40	E35STB	.87
3.75"	ES375S10	E37ST	.88	N/A	N/A	N/A	
4.00"	ES400S10	E40ST	.90	4.00"	ES400S40	E40STB	.90
4.50"	ES450S10	E45ST	.92	4.50"	ES450S40	E45STB	.92
5.00"	ES500S10	E50ST	.95	5.00"	ES500S40	E50STB	.95
6.00"	ES600S10	E60ST	.99	6.00"	ES600S40	E60STB	.99

PACKAGING

- One Clamp Per Skin Pack
10 or 40 Clamps Per Master Carton.

COMPONENTS AND MATERIALS

- A Clamp Assembly Consists of a Stainless Steel Band With One Spacer. Two Bolts and One Reaction Block Pre-Attached To The Band, and One Spacer and Two Nuts Contained Within The Skin Pack.

"SETTING THE STANDARD"



Ottawa Products Co.
www.ottawaproducts.com

Ottawa Products Co., Inc.
1602 S. North Curtice Rd.
Curtice, Ohio 43412
Phone: 419-836-5115
Fax: 419-836-5111

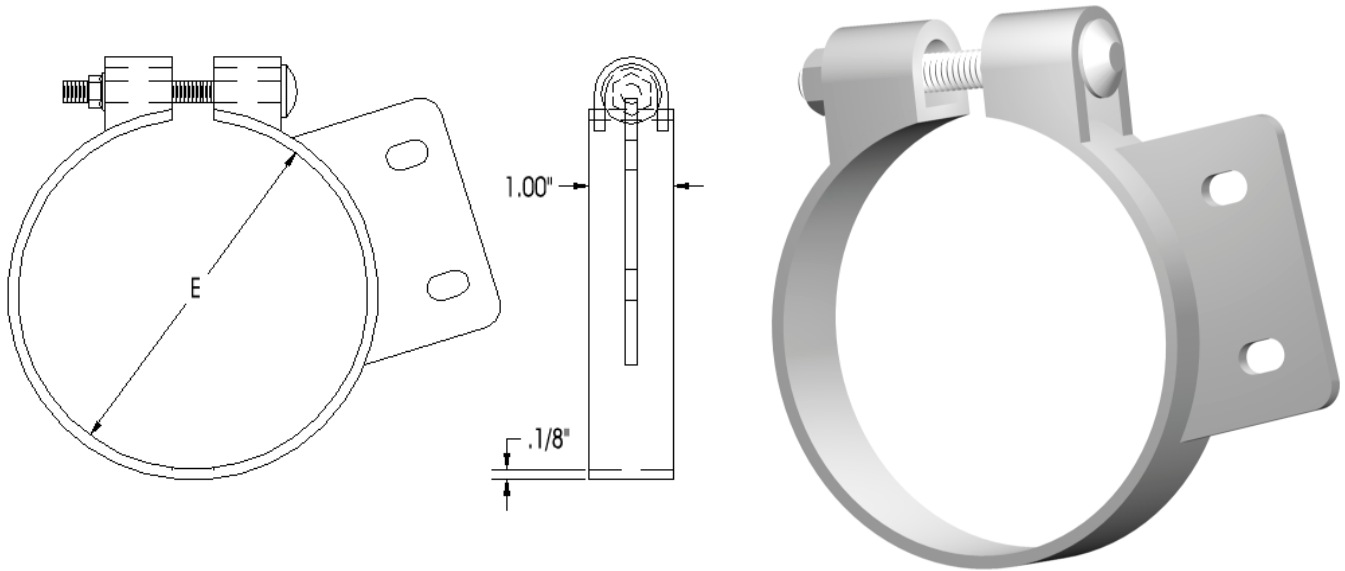
E-mail info@ottawaproducts.com
Internet: www.ottawaproducts.com



QUALITY BUILT PRODUCTS MADE IN THE USA

FBSAMTG-SERIES

Heavy-Duty Band Style Mounting Bracket



Kenworth/Peterbilt Heavy-Duty Mounting Bracket

Available In These Standard Industry Sizes

SIZE	PART NO.	E	APPROX. WT.
4.00"	FBSAMTG - 400	4.00"	1.01
5.00"	FBSAMTG - 500	5.00"	1.13
6.00"	FBSAMTG - 600	6.00"	1.38

AVAILABLE FINISH

- Polished Chrome

Other Finishes Available By Request

COMPONENTS AND MATERIALS

Complete Mounting Clamp Includes

- Band - C1008 X 1.0" Wide X .125" Thick
- Carriage Bolt - 3/8-16 X 3.0" Grade 5 - Zinc
- 3/8-16 Top Lock Large Flange Nut Grade 5 - Zinc
- Clip C1008 - .88" Wide X .187" Thick
- 7 Ga. C1008 Mounting Bracket

"SETTING THE STANDARD"



Ottawa Products Co., Inc.

1602 S. North Curtice Rd.

Curtice, Ohio 43412

Phone: 419-836-5115

Fax: 419-836-5111

E-mail info@ottawaproducts.com

Internet: www.ottawaproducts.com



WE RESERVE THE RIGHT TO CHANGE SPECIFICATIONS AND/OR DESIGNS WITHOUT PRIOR NOTICE OR OBLIGATION

CUSTOM BENT BOLTS & WIRE FORMS MANUFACTURED TO YOUR SPECIFICATIONS.

Ottawa Products Co. is a quality manufacturer and supplier of custom bent bolts and wire forms. Current wire-form sizes range from 1/8" through 5/8" and bent bolt sizes from 1/4" C1541 through 1/2" mild steel. All bolts are produced on state-of-the-art high speed equipment

"Let us quote you on your requirements".

Coined/Flattened U-Bolts - (1/4" through 1/2")

Round U-Bolts - (1/4" through 1/2")

Square Bent Bolts - (1/4" through 1/2")

Anchor Bolts - (1/4" through 1/2")

Square Bent J-Bolts - (1/4" through 1/2")

Round Bent J-Bolts - (1/4" through 1/2")

V-Bolts - (1/4" through 1/2")

Single End Threaded Studs - (1/4" through 1/2")

Double End Threaded Studs - (1/4" through 1/2")

Custom Wire Forming - (1/8" through 5/8")

- NO MINIMUMS.
- MINIMAL TOOLING CHARGES (If Required).
- QUICK TURN-AROUNDS.
- CERTIFICATIONS SUPPLIED AT NO ADDITIONAL COST.
- QUALITY SYSTEM PER ISO-9001-2000 STANDARDS.
- TRAINED EXPERIENCED PERSONNEL.
- STOCKING PROGRAM AVAILABLE.
- COATINGS PER YOUR REQUIREMENTS.

"SETTING THE STANDARD"



Ottawa Products Co., Inc.

1602 S. North Curtice Rd.

Curtice, Ohio 43412

Phone: 419-836-5115

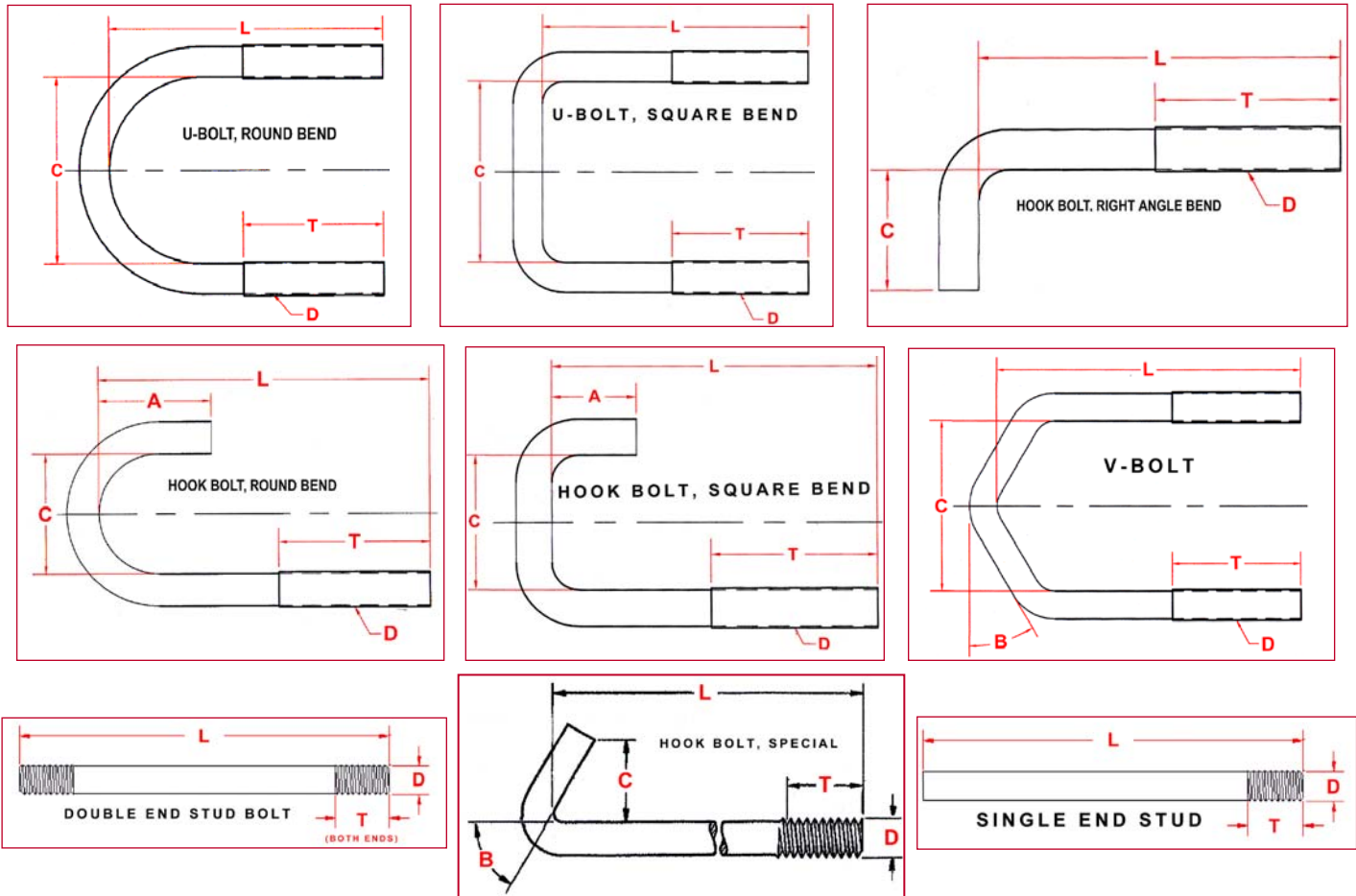
Fax: 419-836-5111

E-mail info@ottawaproducts.com

Internet: www.ottawaproducts.com



Custom Bent Bolt Fax Request Form



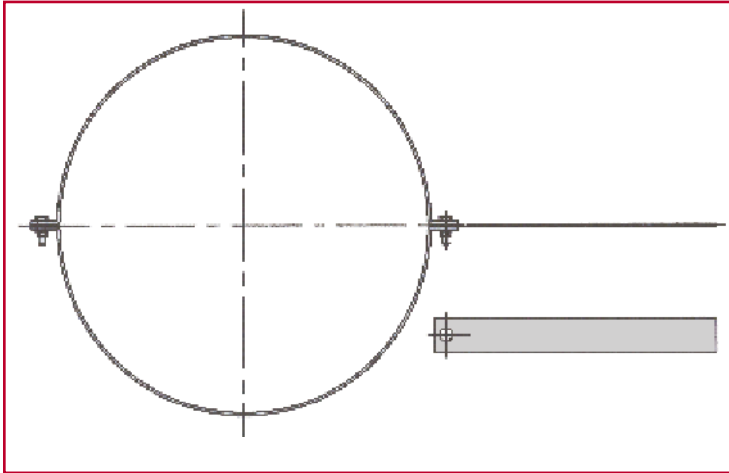
Please enter all the information on the bolt(s) you require in the table below and Fax to our Quotation Department at (419) 836-5111. You may also send us an RFQ via the Internet. Visit the "Products" page at our web site www.ottawaproducts.com, go to the products section then click on "Custom Bent Bolts" fill in the form for the bolt you require and click the send button, it's as simple as that, we can usually e-mail you prices back within 24 hours.

BOLT TYPE	D (THREAD PITCH)	L	C	A	T	B	MATERIAL	COATING	QTY.

COMPANY NAME	YOUR NAME	TELEPHONE #	FAX #

Ottawa Products Co., Inc. 1602 North Curtice Rd. Curtice, Ohio 43412
 Phone: 419-836-5115 Fax: 419-836-5111
 E-mail info@ottawaproducts.com Internet: www.ottawaproducts.com

MH-SERIES *Heavy-Duty Muffler Hanger*



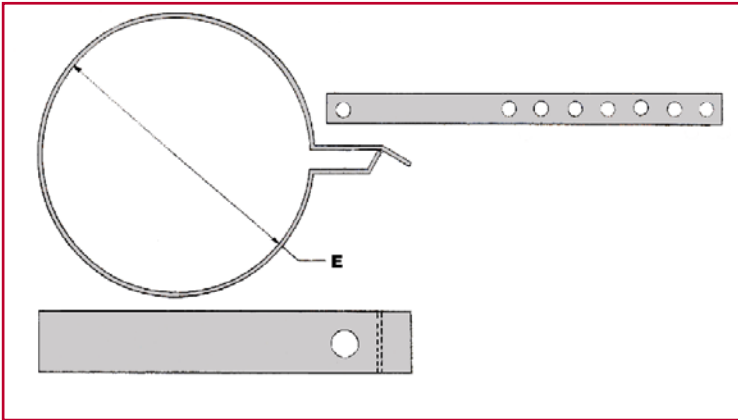
HEAVY-DUTY BAND STYLE HANGERS

HANGERS INCLUDE THE FOLLOWING:

- (2) 1-3/8" WIDE X 11 GA. X 180 Deg. Band Sections.
- (1) 1-3/8" wide X 8 ga. X 12" Hanger Strap.
- (2) 5/16-18 X 1" Grade 2 - Zinc Plated Hex Nuts.
- (2) 5/16-18 Grade 2 - Zinc Plated Hex Nuts.
- (2) 5/16 - Zinc Plated Lock Washers.

SIZE	P/N	DIAMETER	WT.
6.00"	MH-600	6.00"	#
7.00"	MH-700	7.00"	#
8.00"	MH-800	8.00"	#
8.50"	MH-850	8.50"	#
9.00"	MH-900	9.00"	#
10.00"	MH-1000	10.00"	#
11.00"	MH-1100	11.00"	#

MHA-SERIES *Heavy-Duty Pipe/Muffler Hanger*



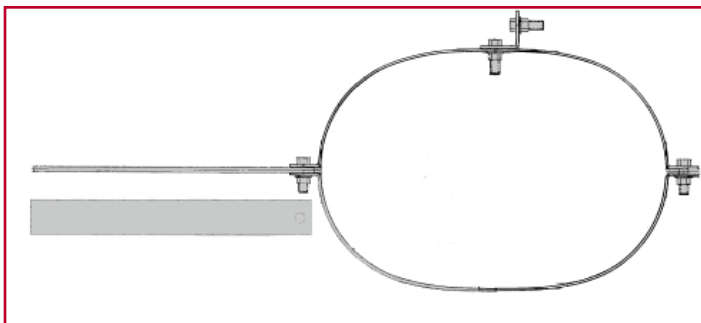
HEAVY-DUTY BAND STYLE HANGERS

HANGERS INCLUDE THE FOLLOWING:

- (1) 7/8" Wide X 11 GA. X 380 Deg. Band.
- (1) 7/8" Wide X 11 ga. X 12" Hanger Strap W/Mtg Holes.
- (1) 3/8-16 X 1" Grade 2 - Plain Finish Hex Bolt.
- (1) 3/8-16 Grade 2 - Plain Finish Hex Nut.
- (2) 3/8 - Plain Finish Lock Washer.

SIZE	P/N	DIAMETER	WT.
2.50"	MHA-250	2.50"	#
3.00"	MHA-300	3.00"	#
3.50"	MHA-350	3.50"	#
4.00"	MHA-400	4.00"	#
5.00"	MHA-500	5.00"	#

MHO-SERIES *Heavy-Duty Muffler Hanger*



HEAVY-DUTY BAND STYLE HANGERS

HANGERS INCLUDE THE FOLLOWING:

- (2) 1.12" Wide X 11 GA. X Half Oval Band.
- (1) 1.12" Wide "L" Bracket.
- (1) 1-3/8" Wide X 8 ga. X 12" Hanger Strap.
- (4) 3/8-16 X 1" Grade 2 - Plain Finish Hex Bolt.
- (4) 3/8-16 Grade 2 - Plain Finish Hex Nut.
- (4) 3/8 - Plain Finish Lock Washer.

SIZE	P/N	DIAMETER	WT.
8.25" X 11.50"	MHO-1150	8.25" X 11.50"	#
10.00" X 15.00"	MHO-1500	10.00" X 15.00"	#

"SETTING THE STANDARD"



Ottawa Products Co., Inc.

1602 S. North Curtice Rd.

Curtice, Ohio 43412

Phone: 419-836-5115

Fax: 419-836-5111

E-mail info@ottawaproducts.com

Internet: www.ottawaproducts.com



Decimal and Millimeter Equivalents

Quality Built Products Made In The USA



Fraction	Decimal	Millimeters	Fraction	Decimal	Millimeters
1/64	.01563	.39688	33/64	.51563	13.09688
1/32	.03125	.79375	17/32	.53125	13.49375
3/64	.04688	1.19063	35/64	.54688	13.89063
1/16	.0625	1.58750	9/16	.5625	14.28750
5/64	.07813	1.98438	37/64	.57813	14.68438
3/32	.09375	2.38125	19/32	.59375	15.08125
7/64	.10938	2.77813	39/64	.60938	15.47813
1/8	.1250	3.17500	5/8	.625	15.87500
9/64	.14063	3.57188	41/64	.64063	16.27188
5/32	.15625	3.96875	21/32	.65625	16.66875
11/64	.17188	4.36563	43/64	.67188	17.06563
3/16	.1875	4.76250	11/16	.6875	17.46250
13/64	.20313	5.15938	45/64	.70313	17.85938
7/32	.21875	5.55625	23/32	.71875	18.25625
15/64	.23438	5.95313	47/64	.73438	18.65313
1/4	.250	6.35000	3/4	.750	19.05000
17/64	.26563	6.74688	49/64	.76563	19.44688
9/32	.28125	7.14375	25/32	.78125	19.84375
19/64	.29688	7.54063	51/64	.79688	20.24063
5/16	.3125	7.93750	13/16	.8125	20.63750
21/64	.32813	8.33438	53/64	.82813	21.03438
11/32	.34375	8.73125	27/32	.84375	21.43125
23/64	.35938	9.12813	55/64	.85938	21.82813
3/8	.375	9.52500	7/8	.875	22.22500
25/64	.39063	9.92188	57/64	.89063	22.62188
13/32	.40625	10.31875	29/32	.90625	23.01875
27/64	.42188	10.71563	59/64	.92188	23.41563
7/16	.4375	11.11250	15/16	.9375	23.81250
29/64	.45313	11.50938	61/64	.95313	24.20938
15/32	.46875	11.90625	31/32	.96875	24.60625
31/64	.48438	12.30313	63/64	.98438	25.00313
1/2	.500	12.70000	1	1.00	25.40000

Ottawa Products Co., Inc. 1602 North Curtice Rd. Curtice, Ohio 43412

Phone: 419-836-5115 Fax: 419-836-5111

Email: info@ottawaproducts.com

Internet: www.ottawaproducts.com

A Subsidiary of NSF International
789 North Dixboro Road, Ann Arbor, Michigan 48105
(888) NSF-9000

Certificate of Registration

This certifies that the Quality Management System of
Ottawa Products Co., Inc.

1602 North Curtice Road
Curtice, OH 43412 US

has been assessed by NSF-ISR and found to be in conformance to the following standard(s):

ISO 9001:2000

Scope of Registration:

Manufacture of heavy duty clamps and bent bolts for the Automotive, Heavy-Duty Truck, Off-Road Equipment, Agricultural Equipment and other industrial markets.

Industrial Classification:

IAF: 17
SIC: 34
NACE: DJ 28

Certificate Number: 5Y471-1
Certificate Issue Date: 08/15/2005
Company Initial Date: 08/12/2005
Registration Date: 08/12/2005
Expiration Date*: 08/11/2008



Christian B. Lupo, General Manager
NSF-ISR, Ltd.