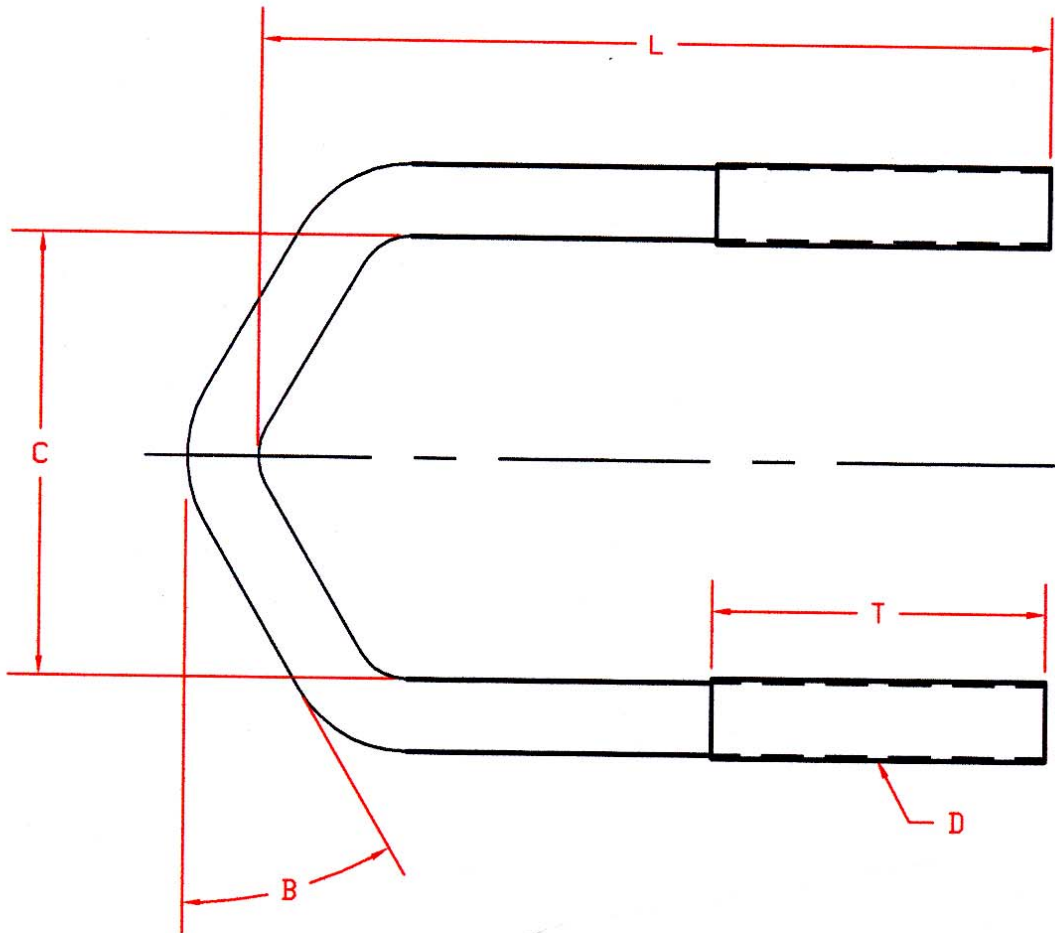


REVISION RECORD

REV:	CHANGE DESCRIPTION	BY / DATE
-	-	-



V-BOLT (D x L x C x T x B)
 (B expressed in degrees)

- D =
- L =
- C =
- T =
- B =

ITEM	QTY	PART NO.	DESCRIPTION	FINISH

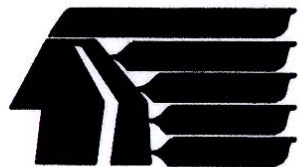
MATERIAL LIST

3RD ANGLE PROJECTION 		CUSTOMER -	
UNLESS OTHERWISE SPEC. DIMS. IN INCHES ANSI V14.5-1982 V.P.S. 1-1-A-100		TITLE V-BOLT (D x L x C x T x B)	
STD. TOLERANCES .XX ±.060 .XXX ±.030 FRAC. DIM. ± 1/32		DRAWN BY: _____ DATE: _____	
SCALE: NONE		CHECKED BY: _____ DATE: _____	CUST. APPROVAL DATE: _____
DRAWING NUMBER			REV -

MATERIAL:

***FINISH:**

This print or drawing shall be used only with reference to contracts or proposals of Ottawa Products Co., Inc. This print or drawing shall not be copied for, reproduced for, nor exhibited to outside parties. This print or drawing and any and all copies thereof shall be returned to Ottawa Products Co. upon request. Anything disclosed herein not publicly available shall not be used without written permission of Ottawa Products Co. Ottawa Products Co. reserves the right to change specifications and/or designs without prior notice or obligation.



Ottawa Products Co.
 1602 North Curtice Rd.
 Curtice, Oh. 43412
 www.ottawaproducts.com