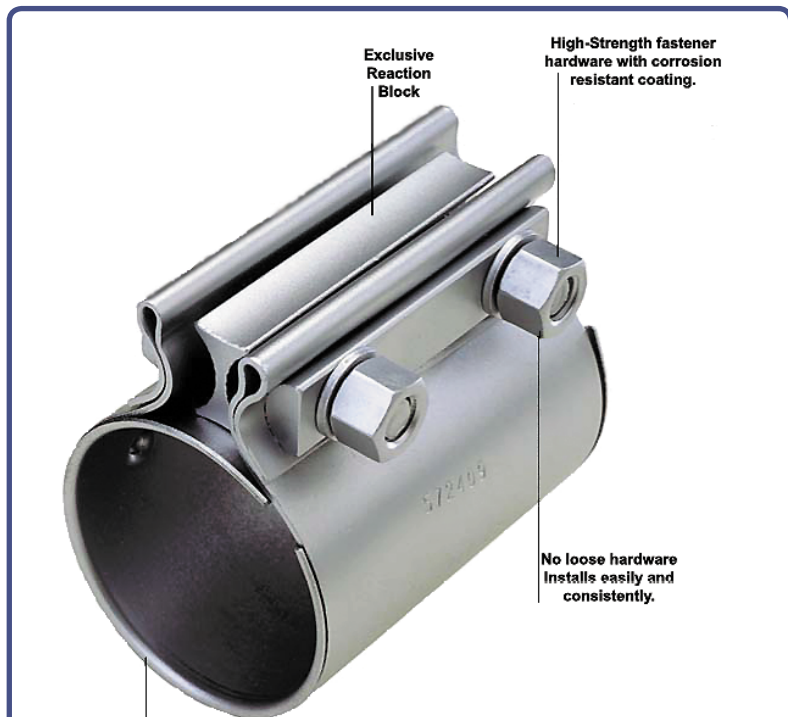


High-Performance Exhaust Coupler  
For joining high-performance exhaust components.

**“Always Demand The Torca® Brand!”**



Exclusive Reaction Block

High-Strength fastener hardware with corrosion resistant coating.

No loose hardware  
Installs easily and consistently.

Available in:  
409 bright stainless steel.

Currently Available in  
2-1/2", 2-3/4" & 3-1/2"

- Hexavalent Chrome Free.
- Available in diameters of 2.50" (62.5mm), 2-3/4" (69.9mm) & 3.50" (88.9mm).
- Overall Length 3.35" (85mm).
- Does Not Require Pipe Overlap.
- Eliminates The Need For Sizing and Slotting Pipe Members.
- 25mm Fastener Drive..
- Allows Assembly & Service Without Logitudinal Movement of Pipe Members.



*Inner sleeve provides a tight seal with the patented dual tongue-&-groove feature.*



*Unique dual tongue-&-groove sleeve allows for a large pipe sizing tolerance while still maintaining optimal joint air leak and separation resistance performance.*

AVAILABLE IN 409 BRIGHT STAINLESS  
IN THESE STANDARD INDUSTRY SIZES ONLY.

Size	Ottawa P/N	Torca P/N	APPROX. #
2.50" 63.5 mm	TC250SS	96-0115	1.30
2.75" 69.9mm	TC275SS	96-0159	1.42
3.50" 88.9mm	TC350SS	96-0158	1.60

\* Contact Factory For Price and Delivery.



**Unitized assembly. No loose Hardware. Slides into place, installs easily and reliably. The reaction block transfers bolt torque into clamp strength and an assured seal.**

"SETTING THE STANDARD"



**Ottawa Products Co., Inc.**  
1602 North Curtice Rd.  
Curtice, Ohio 43412  
Phone: 419-836-5115  
Fax: 419-836-5111  
E-mail [info@ottawaproducts.com](mailto:info@ottawaproducts.com)  
Internet: [www.ottawaproducts.com](http://www.ottawaproducts.com)

