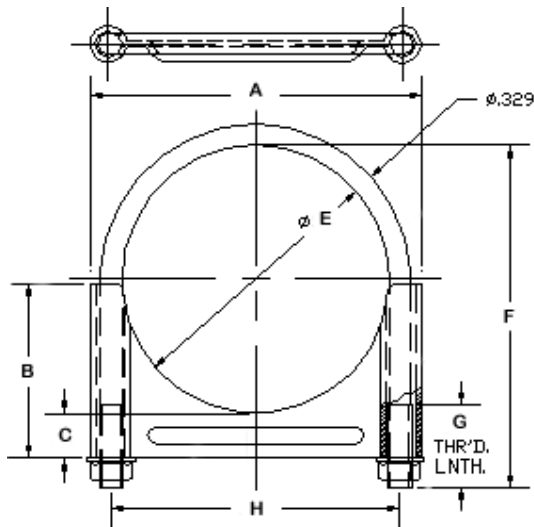


G-SERIES

Guillotine Style Heavy-Duty Clamp With Round U-Bolt



"VALUE ADDED" REINFORCEMENT RIB DESIGN PROVIDES ADDITIONAL STRENGTH.

Available In These Standard Industry Sizes

SIZE	PART NO.	A	B	C	E	F	G	H	GA.	WT.
2.00"	G-200	3.10	1.87	.69	2.17	4.00	1.50	2.50	13	.45
2.25"	G-225	3.34	2.00	.69	2.42	4.12	1.50	2.60	13	.50
2.50"	G-250	3.60	2.14	.69	2.67	4.38	1.50	3.00	13	.53
2.75"	G-275	3.85	2.25	.69	2.92	4.62	1.50	3.25	13	.56
3.00"	G-300	4.12	2.37	.67	3.17	5.06	1.50	3.50	13	.60
3.50"	G-350	4.61	2.69	.68	3.67	5.37	1.50	4.00	13	.72
4.00"	G-400	5.17	2.91	.70	4.17	5.88	1.50	4.50	13	.82
5.00"	G-500	6.19	3.39	.80	5.17	6.75	1.50	5.50	11	1.24
6.00"	G-600	7.18	3.89	.80	6.17	7.50	1.50	6.50	11	1.42

AVAILABLE FINISH

- Plain
- Zinc Plated Per GMW3044
- Clear, Yellow Or Black
- Chrome Plated
- Painted

PACKAGING OPTIONS

- Un-Assembled & Bulk Packed
- Assembled & Bulk Packed
- Individually Packaged Bulk
- Individually Packaged Ten Or Fifty Pack Carton

COMPONENTS AND MATERIALS

- Complete Clamp Includes
- U-Bolt - C1018 3/8-16 NC-2A Thread
 - Saddle C1008/C1010
 - (2) Serrated Flange Nuts - Grade 2

"SETTING THE STANDARD"



Ottawa Products Co., Inc.

1602 North Curtice Rd.

Curtice, Ohio 43412

Phone: 419-836-5115

Fax: 419-836-5111

E-mail info@ottawaproducts.com

Internet: www.ottawaproducts.com



WE RESERVE THE RIGHT TO CHANGE SPECIFICATIONS AND/OR DESIGNS WITHOUT PRIOR NOTICE OR OBLIGATION