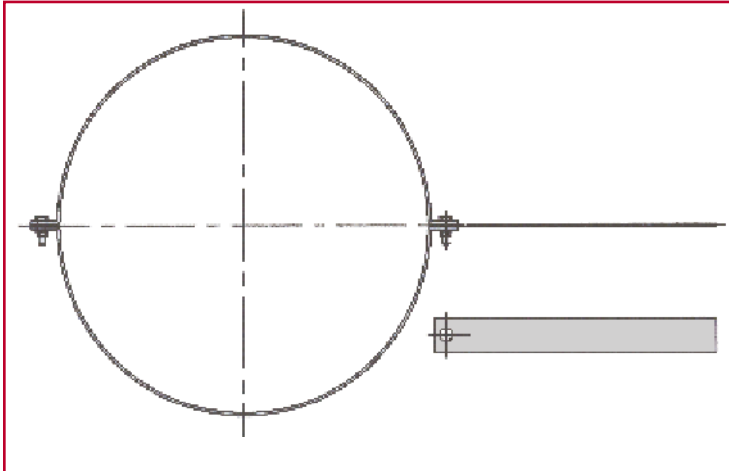


MH-SERIES *Heavy-Duty Muffler Hanger*



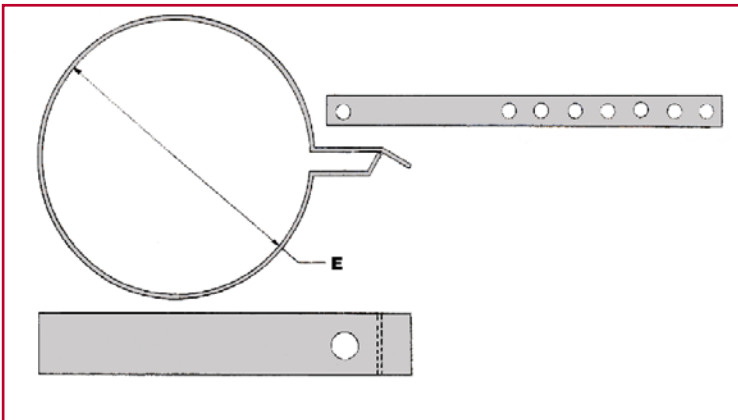
HEAVY-DUTY BAND STYLE HANGERS

HANGERS INCLUDE THE FOLLOWING:

- (2) 1-3/8" WIDE X 11 GA. X 180 Deg. Band Sections.
- (1) 1-3/8" wide X 8 ga. X 12" Hanger Strap.
- (2) 5/16-18 X 1" Grade 2 - Zinc Plated Hex Nuts.
- (2) 5/16-18 Grade 2 - Zinc Plated Hex Nuts.
- (2) 5/16 - Zinc Plated Lock Washers.

SIZE	P/N	DIAMETER	WT.
6.00"	MH-600	6.00"	#
7.00"	MH-700	7.00"	#
8.00"	MH-800	8.00"	#
8.50"	MH-850	8.50"	#
9.00"	MH-900	9.00"	#
10.00"	MH-1000	10.00"	#
11.00"	MH-1100	11.00"	#

MHA-SERIES *Heavy-Duty Pipe/Muffler Hanger*



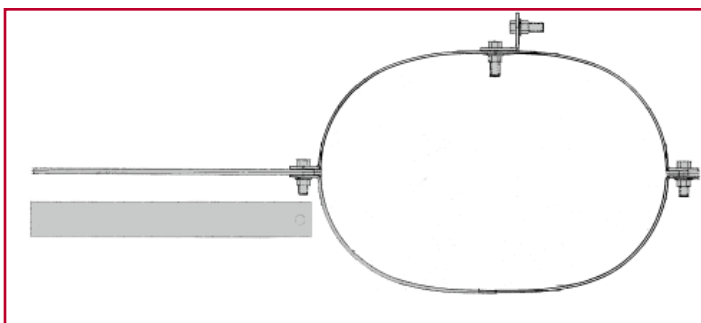
HEAVY-DUTY BAND STYLE HANGERS

HANGERS INCLUDE THE FOLLOWING:

- (1) 7/8" Wide X 11 GA. X 380 Deg. Band.
- (1) 7/8" Wide X 11 ga. X 12" Hanger Strap W/Mtg Holes.
- (1) 3/8-16 X 1" Grade 2 - Plain Finish Hex Bolt.
- (1) 3/8-16 Grade 2 - Plain Finish Hex Nut.
- (2) 3/8 - Plain Finish Lock Washer.

SIZE	P/N	DIAMETER	WT.
2.50"	MHA-250	2.50"	#
3.00"	MHA-300	3.00"	#
3.50"	MHA-350	3.50"	#
4.00"	MHA-400	4.00"	#
5.00"	MHA-500	5.00"	#

MHO-SERIES *Heavy-Duty Muffler Hanger*



HEAVY-DUTY BAND STYLE HANGERS

HANGERS INCLUDE THE FOLLOWING:

- (2) 1.12" Wide X 11 GA. X Half Oval Band.
- (1) 1.12" Wide "L" Bracket.
- (1) 1-3/8" Wide X 8 ga. X 12" Hanger Strap.
- (4) 3/8-16 X 1" Grade 2 - Plain Finish Hex Bolt.
- (4) 3/8-16 Grade 2 - Plain Finish Hex Nut.
- (4) 3/8 - Plain Finish Lock Washer.

SIZE	P/N	DIAMETER	WT.
8.25" X 11.50"	MHO-1150	8.25" X 11.50"	#
10.00" X 15.00"	MHO-1500	10.00" X 15.00"	#

"SETTING THE STANDARD"



Ottawa Products Co., Inc.

1602 S. North Curtice Rd.

Curtice, Ohio 43412

Phone: 419-836-5115

Fax: 419-836-5111

E-mail info@ottawaproducts.com

Internet: www.ottawaproducts.com

