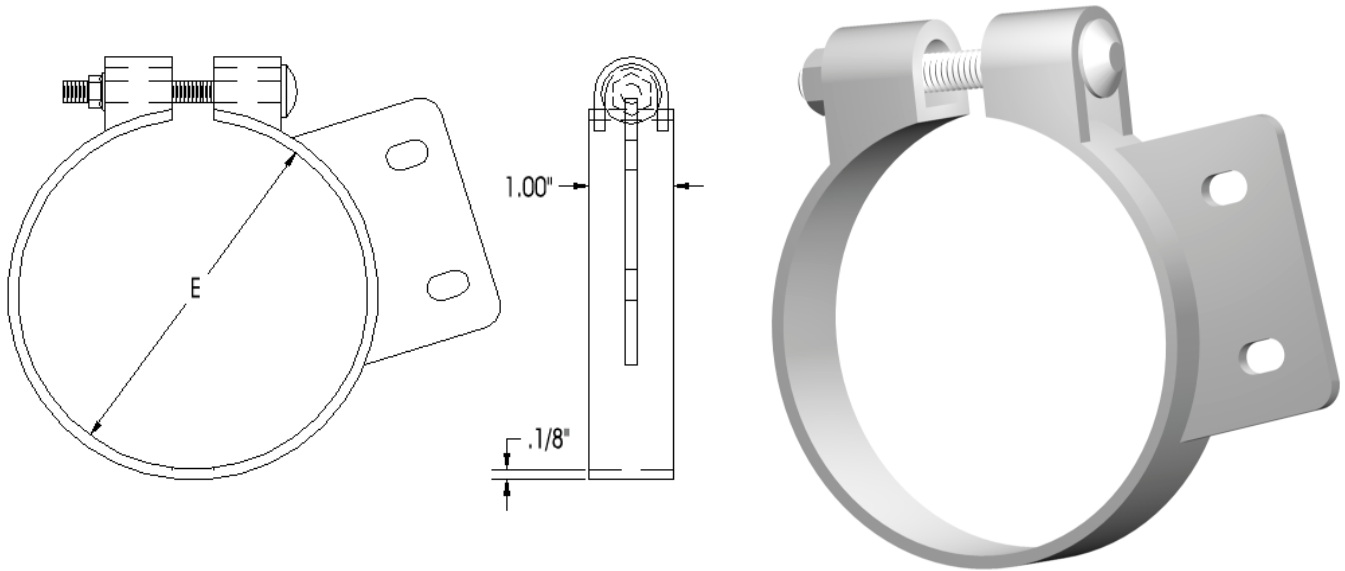


FBSAMTG-SERIES

Heavy-Duty Band Style Mounting Bracket



Kenworth/Peterbilt Heavy-Duty Mounting Bracket

Available In These Standard Industry Sizes

SIZE	PART NO.	E	APPROX. WT.
4.00"	FBSAMTG - 400	4.00"	1.01
5.00"	FBSAMTG - 500	5.00"	1.13
6.00"	FBSAMTG - 600	6.00"	1.38

AVAILABLE FINISH

- Polished Chrome

Other Finishes Available By Request

COMPONENTS AND MATERIALS

Complete Mounting Clamp Includes

- Band - C1008 X 1.0" Wide X .125" Thick
- Carriage Bolt - 3/8-16 X 3.0" Grade 5 - Zinc
- 3/8-16 Top Lock Large Flange Nut Grade 5 - Zinc
- Clip C1008 - .88" Wide X .187" Thick
- 7 Ga. C1008 Mounting Bracket

"SETTING THE STANDARD"



Ottawa Products Co., Inc.

1602 S. North Curtice Rd.

Curtice, Ohio 43412

Phone: 419-836-5115

Fax: 419-836-5111

E-mail info@ottawaproducts.com

Internet: www.ottawaproducts.com



WE RESERVE THE RIGHT TO CHANGE SPECIFICATIONS AND/OR DESIGNS WITHOUT PRIOR NOTICE OR OBLIGATION