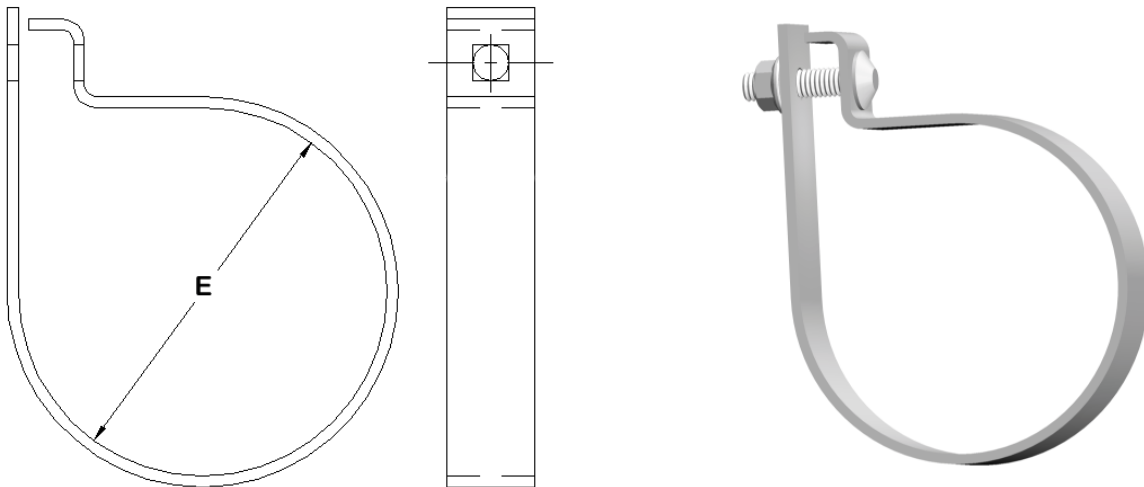


FBS E-SERIES

Heavy-Duty Band Style Clamp



Available In These Standard Industry Sizes

| SIZE | PART NO. | E | APPROX. WT. | SIZE | PART NO. | E | APPROX. WT. |
|--------|----------|-------|-------------|--------|----------|-------|-------------|
| 1-1/4" | FBS E125 | 1.42" | .34 | 3-1/4" | FBS E325 | 3.42" | .52 |
| 1-1/2" | FBS E150 | 1.67" | .35 | 3-1/2" | FBS E350 | 3.67" | .55 |
| 1-5/8" | FBS E162 | 1.79" | .36 | 3-7/8" | FBS E388 | 3.92" | .58 |
| 1-3/4" | FBS E175 | 1.92" | .37 | 4" | FBS E400 | 4.17" | .59 |
| 1-7/8" | FBS E188 | 2.05" | .39 | 4-1/4" | FBS E425 | 4.42" | .62 |
| 2" | FBS E200 | 2.17" | .40 | 4-1/2" | FBS E450 | 4.67" | .65 |
| 2-1/8" | FBS E213 | 2.30" | .41 | 5" | FBS E500 | 5.17" | .69 |
| 2-1/4" | FBS E225 | 2.42" | .42 | 5-1/2" | FBS E550 | 5.67" | .74 |
| 2-1/2" | FBS E250 | 2.67" | .45 | 6" | FBS E600 | 6.17" | .79 |
| 2-3/4" | FBS E275 | 2.92" | .47 | 7" | FBS E700 | 7.17" | .89 |
| 3" | FBS E300 | 3.17" | .50 | 8" | FBS E800 | 8.17" | .99 |

AVAILABLE FINISH

- Plain
- Zinc Plated Per GMW3044
- Clear, Yellow Or Black
- Zinc-Nickel Plated
- Hi-Heat Black Paint

COMPONENTS AND MATERIALS

Complete Clamp Includes

- Band - C1008 X 1.0" Wide X .125" Thick
- Carriage Bolt - 3/8-16 X 1.5" Grade 2 - Zinc
- 3/8-16 Serrated Flange Nut Grade 2 - Zinc

"SETTING THE STANDARD"



Ottawa Products Co., Inc.

1602 S. North Curtice Rd.

Curtice, Ohio 43412

Phone: 419-836-5115

Fax: 419-836-5111

E-mail info@ottawaproducts.com

Internet: www.ottawaproducts.com



WE RESERVE THE RIGHT TO CHANGE SPECIFICATIONS AND/OR DESIGNS WITHOUT PRIOR NOTICE OR OBLIGATION