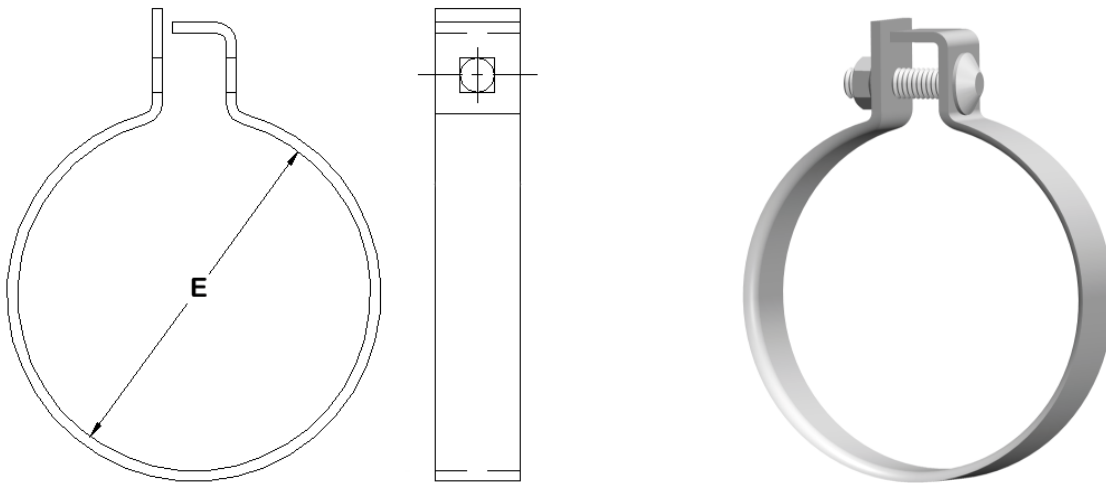


FBS C-SERIES

Heavy-Duty Band Style Clamp



Available In These Standard Industry Sizes

SIZE	PART NO.	E	APPROX. WT.	SIZE	PART NO.	E	APPROX. WT.
1-1/4"	FBS C125	1.42"	.30	3-1/4"	FBS C325	3.42"	.48
1-1/2"	FBS C150	1.67"	.31	3-1/2"	FBS C350	3.67"	.51
1-5/8"	FBS C162	1.79"	.32	3-7/8"	FBS C388	3.92"	.53
1-3/4"	FBS C175	1.92"	.34	4"	FBS C400	4.17"	.54
1-7/8"	FBS C188	2.05"	.35	4-1/4"	FBS C425	4.42"	.68
2"	FBS C200	2.17"	.35	4-1/2"	FBS C450	4.67"	.61
2-1/8"	FBS C213	2.30"	.37	5"	FBS C500	5.17"	.65
2-1/4"	FBS C225	2.42"	.37	5-1/2"	FBS C550	5.67"	.70
2-1/2"	FBS C250	2.67"	.41	6"	FBS C600	6.17"	.75
2-3/4"	FBS C275	2.92"	.44	7"	FBS C700	7.17"	.85
3"	FBS C300	3.17"	.46	8"	FBS C800	8.17"	.95

AVAILABLE FINISH

- Plain
- Zinc Plated Per GMW3044
- Clear, Yellow Or Black
- Zinc-Nickel Plated
- Hi-Heat Black Paint

COMPONENTS AND MATERIALS

Complete Clamp Includes

- Band - C1008 X 1.0" Wide X .125" Thick
- Carriage Bolt - 3/8-16 X 1.5" Grade 2 - Zinc
- 3/8-16 Serrated Flange Nut Grade 2 - Zinc

"SETTING THE STANDARD"



Ottawa Products Co., Inc.

1602 S. North Curtice Rd.

Curtice, Ohio 43412

Phone: 419-836-5115

Fax: 419-836-5111

E-mail info@ottawaproducts.com

Internet: www.ottawaproducts.com



WE RESERVE THE RIGHT TO CHANGE SPECIFICATIONS AND/OR DESIGNS WITHOUT PRIOR NOTICE OR OBLIGATION