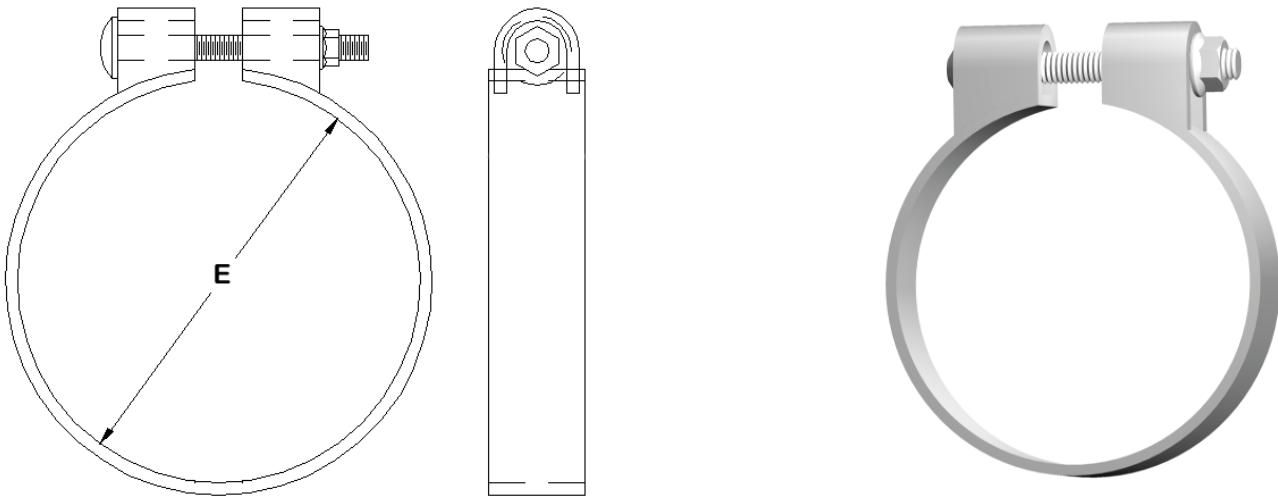


FBS A-SERIES

Heavy-Duty Band Style Clamp



Available In These Standard Industry Sizes

SIZE	PART NO.	E	APPROX. WT.		SIZE	PART NO.	E	APPROX. WT.
1-3/4"	FBS A175	1.92"	.50		3-7/8"	FBS A388	3.92"	.71
1-7/8"	FBS A188	2.05"	.50		4"	FBS A400	4.17"	.73
2"	FBS A200	2.17"	.52		4-1/4"	FBS A425	4.42"	.77
2-1/8"	FBS A213	2.30"	.52		4-1/2"	FBS A450	4.67"	.79
2-1/4"	FBS A225	2.42"	.53		5"	FBS A500	5.17"	.84
2-1/2"	FBS A250	2.67"	.56		5-1/2"	FBS A550	5.67"	.90
2-3/4"	FBS A275	2.92"	.58		6"	FBS A600	6.17"	.95
3"	FBS A300	3.17"	.64		7"	FBS A700	7.17"	1.16
3-1/4"	FBS A325	3.42"	.66		8"	FBS A800	8.17"	1.26
3-1/2"	FBS A350	3.67"	.68					

AVAILABLE FINISH

- Plain
- Zinc Plated Per ASTM B-633
- Clear, Yellow Or Black
- Zinc-Nickel Plated
- Hi-Heat Black Paint

COMPONENTS AND MATERIALS

Complete Clamp Includes

- Band - C1008 X 1.0" Wide X .125" Thick
- Carriage Bolt - 3/8-16 X 3.0" Grade 5 - Zinc
- 3/8-16 Top Lock Large Flange Nut Grade 5 - Zinc
- Clip C1008 - .88" Wide X .187" Thick

"SETTING THE STANDARD"



Ottawa Products Co., Inc.
1602 S. North Curtice Rd.
Curtice, Ohio 43412
Phone: 419-836-5115
Fax: 419-836-5111

E-mail info@ottawaproducts.com
Internet: www.ottawaproducts.com



12