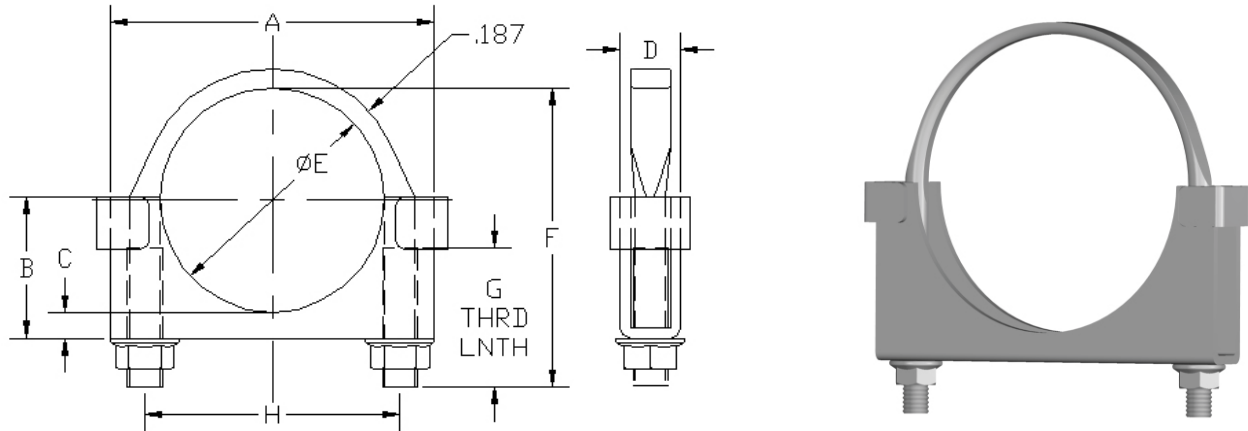


DECF-SERIES

Double Edge Closed End Style
Heavy-Duty Clamp With Flat U-Bolt



Available In These Standard Industry Sizes

SIZE	PART NO.	A	B	C	D	E	F	G	H	GA.	WT.
2.00"	DECF-200	.3.25	1.38	.33	.87	2.17	3.13	1.50	2.50	11	
2.25"	DECF-225	3.50	1.50	.33	.87	2.42	3.80	1.50	2.75	11	
2.50"	DECF-250	3.75	1.65	.33	.87	2.67	4.00	1.50	3.00	11	
2.75"	DECF-275	4.25	1.87	.45	1.	2.92	4.43	1.50	3.25	11	
3.00"	DECF-300	4.38	1.89	.30	.81	3.17	4.54	1.50	3.50	11	
3.50"	DECF-350	4.88	2.40	.56	.81	3.67	5.37	1.50	4.00	11	
4.00"	DECF-400	5.37	2.50	.42	.81	4.17	5.34	1.50	4.50	11	.98
4.50"	DECF-450	6.25	3.02	.69	1.00	4.62	5.84	1.50	4.96	11	
5.00"	DECF-500	6.37	3.13	.54	.81	5.17	6.44	1.50	5.50	11	1.22
5.50"	DECF-550	7.25	3.37	.50	1.00	5.62	7.37	1.50	6.12	11	1.20
6.00"	DECF-600	7.41	3.70	.60	.81	6.17	7.44	1.50	6.50	11	1.25
7.00"	DECF-700	8.41	4.34	.75	.81	7.17	9.08	2.00	7.50	11	
8.00"	DECF-800	9.41	4.84	.75	.81	8.17	9.95	2.00	8.50	11	

AVAILABLE FINISH

- Plain
- Clear Trivalent Zinc Per GMW3044
- Yellow Or Black Zinc Per ASTM B633
- Chrome Plated
- Hi-Heat Black Paint

PACKAGING OPTIONS

- Un-Assembled & Bulk Packed
- Assembled & Bulk Packed
- Individually Packaged Bulk
- Individually Packaged Ten Or Fifty Pack Carton

COMPONENTS AND MATERIALS

Complete Clamp Includes

- U-Bolt - C1018 3/8-16 NC-2A Thread
- Saddle C1008/C1010
- (2) Serrated Flange Nuts - Grade 2

"SETTING THE STANDARD"



Ottawa Products Co., Inc.

1602 North Curtice Rd.

Curtice, Ohio 43412

Phone: 419-836-5115

Fax: 419-836-5111

E-mail info@ottawaproducts.com

Internet: www.ottawaproducts.com

